

KIMBER 1911 PISTOL MODELS

SAFETY & INSTRUCTION MANUAL

WARNING

Before using this firearm, carefully read this manual in its entirety. Understand and follow all instructions and warnings.

This manual should always accompany this firearm and be transferred with the firearm upon change of ownership, or when the firearm is loaned or presented to another person.

A copy of this manual is available free via download from www.kimberamerica.com or upon request from Kimber Customer Service by calling (888) 243-4522.

If there is anything in this manual you do not understand, ask your retailer or call Kimber at (888) 243-4522.

HOW TO USE THIS MANUAL

Thank you for trusting your next shot to Kimber®.

Kimber Mfg., Inc. is a quality proven, American company which designs and manufactures premium firearms and less lethal products. Kimber's vision since its beginnings has always been to provide a superior product for all applications while never compromising in features, materials or performance. Kimber is currently headquartered in Troy, AL with locations in New Jersey and New York. Kimber products will provide a lifetime of service with proper operation and care.

This manual is not a comprehensive guide to firearm safety. Kimber® highly recommends that new shooters seek professional training from qualified instructors prior to handling any firearm. To help ensure safe and long-term enjoyment of a Kimber firearm, this manual should be read in its entirety and thoroughly understood.

This manual contains several safety warnings and instructions preceded with, **▲WARNING**, **▲CAUTION**, or **NOTICE**. These signal words are designed to draw your attention to important safety information. In certain situations, this manual also includes a NOTE.

▲WARNING

Before using this firearm, carefully read this manual in its entirety, understand and follow all instructions and warnings. Failure to read this manual and understand and follow all instructions and warnings may result in an unsafe condition that could cause death, serious injury or property damage.

SAFETY	4	CARE	64
Rules of Firearm Safety	4	Preventative Maintenance	64
Cable Lock	8	Long-Term Storage	69
Eye and Hearing Protection	10	SUPPORT	70
Lead Exposure	10	Limited Warranty.....	70
State Required Safety Warnings.....	11	Obtaining Kimber Replacement Parts.....	71
SPECIFICATIONS	16	Custom Shop Treatments	71
OPERATION	18	Customer Service.....	71
The 1911 Fire Control System.....	18	Diagram and Parts List.....	74
Safety Features	23	Returning a Firearm.....	84
Basic Operation	28		
Rear Sight Optic Hood			
Removal Instructions	60		
Tips for Improved Shooting	62		

RULES OF FIREARM SAFETY

This manual contains several safety warnings and instructions preceded with, **▲WARNING**, **▲CAUTION**, or **NOTICE**. These signal words are designed to draw your attention to important safety information. In certain situations, this manual also includes a NOTE.

▲WARNING

Indicates circumstances, a condition or where failure to follow the Warning could result in death, serious injury and/or property damage.

▲CAUTION

Indicates a condition or circumstance where failure to follow the Caution could result in minor or moderate injury, and/or property damage.

NOTICE

Addresses safety or other practices or information not related to personal injury. Failure to follow the Notice could result in property damage.

NOTE

In certain situations this manual may also have a NOTE. A "NOTE" provides additional information regarding the use and function of this firearm, or highlights other important points.

▲WARNING

Read through the entire manual before attempting to use this product. Safe operation of this firearm is your obligation, and requires that you completely read and understand this manual in its entirety.

▲WARNING

Always treat this and any other firearm as if it were loaded. Never take anyone's word that a firearm is unloaded. Clear it yourself with finger off the trigger and the muzzle pointed in a safe direction. First remove the magazine, then lock the slide open and check to ensure that no round is chambered. Always make sure the firearm is unloaded and the slide locked open before laying it down or handing it to someone else.

▲WARNING

Prior to use, learn the mechanical and handling characteristics, and operation of the firearm you are using. Not all firearms are the same.

▲WARNING

Always keep the muzzle pointed in a safe direction. Never point this or any other firearm at anything you do not intend to shoot.

▲WARNING

Never place your finger inside the trigger guard or on the trigger unless you intend to fire.

▲WARNING

Do not attempt to practice loading or unloading, firing or otherwise handling or using this firearm without a thorough understanding of its safe operation.

▲WARNING

Never carry a firearm loaded unless you have first obtained training from a qualified instructor in holstering, drawing and carrying a loaded handgun.

▲WARNING

Do not carry a loaded firearm with a live round in the chamber while walking, running, crossing or climbing a fence, stream, ditch or any obstacle, or where there is any possibility of slipping or falling, as this could lead to a possible unintentional discharge.

▲WARNING

This product was designed to function properly in its original condition. Do not alter any part or add or substitute parts or accessories not made or authorized for use by Kimber. Any such alteration could render the firearm unsafe and will void the warranty.

▲WARNING

Always make sure that this firearm is in top working condition and that no internal or external parts have been damaged as a result of corrosion, improper maintenance or dropping. If evidence of these conditions exist, contact Kimber Customer Service prior to use.

▲WARNING

Firearms should be unloaded when not actually in use. For increased safety, firearms should be stored unloaded in a location that is secure (for example, apply the supplied cable lock to the firearm and lock the firearm in a gun safe) and inaccessible to children and any other unauthorized person, with ammunition locked securely in a different location.

▲WARNING

Keep out of reach of children. For increased safety, firearms should be stored unloaded in a location that is secure and inaccessible to children and any other unauthorized person. Ammunition should be locked securely in a different location.

▲WARNING

Any firearm that is not under your direct immediate control should be unloaded and rendered inoperable (for example, by use of a cable lock) and inaccessible to unauthorized users.

▲WARNING

Be sure of your target and beyond. Make sure that your backstop is adequate to stop bullets prior to shooting.

▲WARNING

While on the range, be sure to carry this firearm cleared, with slide locked open and muzzle pointed in a safe direction, until ready to shoot.

▲WARNING

Obey all range rules at all times.

▲WARNING

Always wear adequate hearing and eye protection when using any firearm.

▲WARNING

Always ensure that barrel and action are clear of obstructions before shooting. Shooting a blocked firearm can result in death or serious injury and damage to the firearm and/or property.

▲WARNING

NEVER rely exclusively on mechanical or visual safeties, as any mechanical device can fail.

▲WARNING

Use correct ammunition.

▲WARNING

Do not alter or modify your firearm and have firearms serviced regularly.

▲WARNING

Never drink alcoholic beverages or take drugs prior to or during shooting or handling of this or any other firearm, as this could affect or impair your vision, coordination and judgment, and may have other legal consequences.

▲WARNING

Seek a doctor's advice if you are taking any medication prior to engaging in any shooting activity.

▲WARNING

Immediately unload and clear this firearm when you are finished shooting it.

▲WARNING

Never shoot at any hard or flat surface, such as rock, metal or water. The resulting ricochet could result in death, serious injury or property damage.

▲WARNING

Always make sure the firearm is unloaded before cleaning.

▲WARNING

Never force a jammed action. This could cause a round to explode resulting in death, serious injury or property damage.

▲WARNING

If your firearm fails to fire when the trigger is pulled, handle with care. If the firearm fails to fire when the trigger is pulled, slow primer ignition (hangfire) may possibly be the cause. Keep the muzzle pointed downrange at the target for a minimum of 30 seconds. If the round still does not fire, remove the magazine, clear the firearm while keeping the muzzle pointed in a safe direction and the ejection port turned away from your face, eyes and other body parts, and examine the ejected, unfired cartridge. If the indent from

▷ SAFETY

the firing pin is off center, light or absent, contact Kimber Customer Service. If the indent appears normal compared to other rounds, assume a faulty round, separate from other cartridges, reload and continue shooting.

▲WARNING

Never use this firearm in any manner other than that for which it was specifically designed.

▲WARNING

Never act in an irresponsible manner or ignore any established rules of safety when using or storing firearms.

▲WARNING

This product is a firearm and can be a lethal weapon. Failure to read and properly follow the instructions and warnings in this manual could result in death, serious injury or damage to property.

▲CAUTION

Make sure all other shooters and bystanders are well away from the ejection port. Empty cases are ejected under force and may cause injury if someone is struck.

▲CAUTION

Never shoot the firearm with your thumb or other body part directly behind the slide, or you could be injured when the slide and firearm recoil in firing.

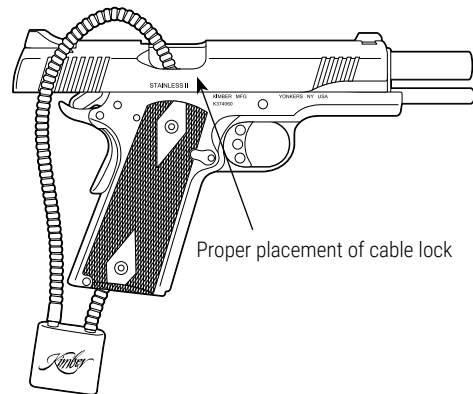
Kimber Mfg., Inc. shall not be responsible for any death, physical injury or property damage that is the result of the proper or improper use of this product.

CABLE LOCK

To use cable lock provided with this firearm:

1. Point the muzzle of the firearm in a safe direction (a safe direction is one in which no one can possibly be injured in the event of an unintentional discharge) and keep your fingers outside of the trigger guard and clear of the trigger throughout the following steps.
2. Unload the firearm following the unloading procedures specified in this manual (see pages 37–41), finishing by visually confirming that the chamber, magazine well and magazine are clear of ammunition. We recommend that the magazine be unloaded and stored separately.

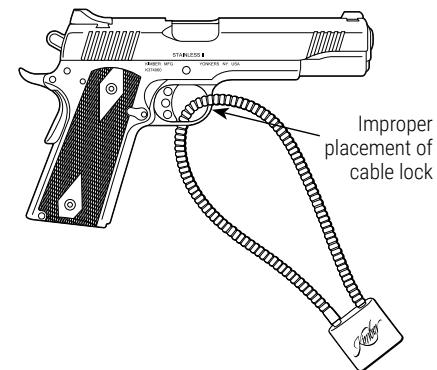
3. Manually lock the slide in the open position.
4. Take the open end of the cable lock and direct it down through the ejection port and out through the open magazine well. Insert the open end into the lock, then turn and remove the key. Keep the key stored in a separate location from the firearm, lock and unauthorized person, and out of reach of children.



IMPROPER INSTALLATION OF CABLE LOCK

▲WARNING

Improper installation of the cable lock through the trigger guard can result in accidental discharge causing death, serious injury or property damage. While locking devices are an important aid to security measures, they are not a substitute for safe firearm handling and proper storage. Mechanical and locking devices can fail and/or be bypassed with enough time, knowledge, determination and equipment.



EYE AND HEARING PROTECTION

⚠️ WARNING

Always wear the appropriate eye and hearing protection during shooting. Failure to do so may result in hearing loss and/or eye injury.

Always wear safety glasses that meet the requirements of the American National Standards Institute (ANSI) Z87.1 and commercially manufactured hearing protection when shooting. Additionally, those in close proximity when shooting should also wear the appropriate eye and hearing protection. All semi-automatic, magazine fed firearms forcefully eject hot, fired cartridge cases and may discharge powder, metallic particles, gas or other debris during shooting. Such discharge is normal. If you and/or others in close physical proximity do not wear appropriate eye protection, then you risk a serious, permanent eye injury up to and possibly including blindness. Hearing protection at all times during shooting is necessary to help prevent partial or permanent hearing loss.

LEAD EXPOSURE

⚠️ WARNING

Discharging firearms in poorly ventilated areas, cleaning firearms or handling ammunition may result in exposure to lead and other substances known to cause birth defects, reproductive harm, cancer and other serious physical injury. Have adequate ventilation at all times. Wash hands thoroughly after exposure.

STATE REQUIRED SAFETY WARNINGS

Certain states require, by law, that their own specified warning notices be conspicuously included in larger than normal type by the manufacturer, distributor or retail dealer with firearms sold in that state. Kimber Mfg., Inc. sells products in compliance with applicable laws and regulations. As Kimber products may be sold in these states, the following warnings are included:

⚠️ WARNING

This product can expose you to chemicals including lead, which is known to the State of California to cause cancer and birth defects or other reproductive harm. For more information go to www.P65Warnings.ca.gov.

CALIFORNIA:

⚠️ WARNING

"Firearms must be handled responsibly and securely stored to prevent access by children and other unauthorized users. California has strict laws pertaining to firearms, and you may be fined or imprisoned if you fail to comply with them. Visit the Web site of the California Attorney General at <https://oag.ca.gov/firearms> for information on firearm laws applicable to you and how you can comply. Prevent child access by always keeping guns locked away and unloaded when not in use. If you keep a loaded firearm where a child obtains and improperly uses it, you may be fined or sent to prison."

⚠️ ADVERTENCIA

"Las armas de fuego deben manipularse de manera responsable y segura para evitar el acceso de niños y otros usuarios no autorizados. California tiene leyes estrictas relacionadas con armas de fuego, y usted puede ser multado o encarcelado si no las cumple. Visite la pagina web del Procurador General

de California en <https://oag.ca.gov/firearms> para obtener información sobre las leyes de armas de fuego que le son aplicables y cómo puede cumplirlas. Evite el acceso de niños manteniendo siempre las armas bloqueadas y descargadas cuando no estén en uso. Si mantiene un arma de fuego cargada donde un niño obtiene y la usa indebidamente, se le puede multar o enviar a prisión.”

CONNECTICUT:

“UNLAWFUL STORAGE OF A LOADED FIREARM MAY RESULT IN IMPRISONMENT OR FINE.”

FLORIDA:

“IT IS UNLAWFUL, AND PUNISHABLE BY IMPRISONMENT AND FINE, FOR ANY ADULT TO STORE OR LEAVE A FIREARM IN ANY PLACE WITHIN THE REACH OR EASY ACCESS OF A MINOR UNDER 18 YEARS OF AGE OR TO KNOWINGLY SELL OR OTHERWISE TRANSFER OWNERSHIP OR POSSESSION OF A FIREARM TO A MINOR OR A PERSON OF UNSOUND MIND.”

MAINE:

“ENDANGERING THE WELFARE OF A CHILD IS A CRIME. IF YOU LEAVE A FIREARM AND AMMUNITION WITHIN EASY ACCESS OF A CHILD, YOU MAY BE SUBJECT TO FINE, IMPRISONMENT OR BOTH. KEEP FIREARMS AND AMMUNITION SEPARATE. KEEP FIREARMS AND AMMUNITION LOCKED UP. USE TRIGGER LOCKS.”

MARYLAND:

“WARNING: Children can operate firearms which may cause death or serious injury. It is a crime to store or leave a loaded firearm in any location where an individual knew or should have known that an unsupervised minor would gain access to the firearm. Store your firearm responsibly!”

MASSACHUSETTS:

“WARNING FROM THE MASSACHUSETTS ATTORNEY GENERAL: This handgun is not equipped with a device that fully blocks use by unauthorized users. More than 200,000 firearms like this one are stolen from their owners every year in the United States. In addition, there are more than a thousand suicides each year

by younger children and teenagers who get access to firearms. Hundreds more die from accidental discharge. It is likely that many more children sustain serious wounds, or inflict such wounds accidentally on others. In order to limit the chance of such misuse, it is imperative that you keep this weapon locked in a secure place and take other steps necessary to limit the possibility of theft or accident. Failure to take reasonable preventive steps may result in innocent lives being lost, and in some circumstances may result in your liability for these deaths.”

“IT IS UNLAWFUL TO STORE OR KEEP A FIREARM, RIFLE, SHOTGUN OR MACHINE GUN IN ANY PLACE UNLESS THAT WEAPON IS EQUIPPED WITH A TAMPER-RESISTANT SAFETY DEVICE OR IS STORED OR KEPT IN A SECURELY LOCKED CONTAINER.”

NEW JERSEY:

“IT IS A CRIMINAL OFFENSE, PUNISHABLE BY A FINE AND IMPRISONMENT, FOR AN ADULT TO LEAVE A LOADED FIREARM WITHIN EASY ACCESS OF A MINOR.”

NEW YORK CITY, NY:

“THE USE OF A LOCKING DEVICE OR SAFETY LOCK IS ONLY ONE ASPECT OF RESPONSIBLE WEAPON STORAGE. ALL WEAPONS SHOULD BE STORED UNLOADED AND LOCKED IN A LOCATION THAT IS BOTH SEPARATE FROM THEIR AMMUNITION AND INACCESSIBLE TO CHILDREN AND ANY OTHER UNAUTHORIZED PERSONS. NEW YORK CITY LAW PROHIBITS, WITH CERTAIN EXCEPTIONS, ANY PERSON FROM ACQUIRING MORE THAN ONE FIREARM, OR MORE THAN ONE RIFLE OR SHOTGUN, WITHIN A 90-DAY PERIOD.”

NORTH CAROLINA:

“IT IS UNLAWFUL TO STORE OR LEAVE A FIREARM THAT CAN BE DISCHARGED IN A MANNER THAT A REASONABLE PERSON SHOULD KNOW IS ACCESSIBLE TO A MINOR.”

“Any person who resides in the same premises as a minor, owns or possesses a firearm, and stores or leaves the firearm (i) in a condition that the firearm can be discharged and (ii) in a manner that the person knew or should have known that an

unsupervised minor would be able to gain access to the firearm, is guilty of a Class 1 misdemeanor if a minor gains access to the firearm without the lawful permission of the minor's parents or a person having charge of the minor and the minor:

- (1) Possesses it in violation of G.S. 14-269.2(b);
- (2) Exhibits it in a public place in a careless, angry, or threatening manner;
- (3) Causes personal injury or death with it not in self defense; or
- (4) Uses it in the commission of a crime."

TEXAS:

"IT IS UNLAWFUL TO STORE, TRANSPORT, OR ABANDON AN UNSECURED FIREARM IN A PLACE WHERE CHILDREN ARE LIKELY TO BE AND CAN OBTAIN ACCESS TO THE FIREARM."

WISCONSIN:

"IF YOU LEAVE A LOADED FIREARM WITHIN THE REACH OR EASY ACCESS OF A CHILD YOU MAY BE FINED OR IMPRISONED OR BOTH IF THE CHILD IMPROPERLY DISCHARGES, POSSESSES OR EXHIBITS THE FIREARM."

NOTE

The above warnings are not intended to be exhaustive. Laws and regulations change constantly. Please check with your State Attorney General's Office or local law enforcement authority regarding laws and regulations that may be applicable.



▷ SPECIFICATIONS

Caliber45 ACP, 9mm, 10mm, .38 Super
Barrel	6-inch (Long Slide) 5-inch (Custom) 4-inch (Pro, Compact) 3-inch (Ultra, Ultra+)
Operation	Recoil-Operated Closed Breech Single Action Semi-Automatic
Weight (with Empty Magazine)	42 ounces (Long Slide with Steel Frame) 39 ounces (Custom with Steel Frame and Rail) 38 ounces (Custom with Steel Frame) 36 ounces (Pro with Steel Frame and Rail) 35 ounces (Pro with Steel Frame) 32 ounces (Ultra+ with Steel Frame) 31 ounces (Custom with Aluminum Frame) 28 ounces (Pro with Aluminum Frame) 27 ounces (Ultra+ / Compact with Aluminum Frame) 25 ounces (Ultra with Aluminum Frame)

Height	5.25 inches (Custom, Pro, Ultra+) 4.75 inches (Compact, Ultra)
Length	9.7 inches (Long Slide) 8.7 inches (Custom) 7.7 inches (Pro, Compact) 6.8 inches (Ultra+, Ultra)
Frame	Steel, Stainless Steel or Aluminum
Magazine Capacity	7, 8 or 9 rounds
Safety Devices	Grip Safety Thumb Safety Sear Disconnect Hammer Safety Notch Series II Safety (Series II Models Only)

THE 1911 FIRE CONTROL SYSTEM

The 1911 fire control system is one of the finest examples of safety and simplicity in a firearm. It is comprised of the following components:

- Trigger
- Hammer
- Sear
- Disconnecter
- Grip safety
- Firing pin and spring
- Series II Safety
- Thumb safety
- Muzzle

Trigger

The trigger is the mechanism which, when depressed, actuates the firing sequence of the firearm.

Hammer

The hammer, when released from the sear, will travel forward and strike the firing pin with enough force to discharge the cartridge.

Once the slide is in battery, the grip safety fully depressed and the thumb safety off, the trigger may disengage the sear from the hammer hooks. When this happens the hammer will fall forward until it strikes the head of the firing pin. The firing pin will move forward, under spring tension, and discharge the cartridge. Once this occurs there will be a brief dwell time before the bullet leaves the barrel. Then the slide will begin to move rearward. This will drive the disconnecter out of the notch and back on the track which disengages the sear.

The safety notch on the hammer (commonly referred to as the half cock position) is actually a stop that is engaged if the hammer inadvertently overrides the sear and falls unintentionally or if

the sear disengages improperly without the trigger being depressed.

Sear

The sear holds the hammer back until the trigger mechanism is actuated. Pulling the trigger will place increasing pressure on the sear until it disengages the hammer, allowing the hammer to fall. The sear has two engagement points, the mating surface to the hammer hooks and the legs which meet the disconnecter paddle.

Disconnecter

The disconnecter is a vertical piece that fits between the trigger bow or stirrup and the sear. The top portion extends out of the frame and rides along the disconnecter track on the underside of the slide. When the disconnecter is pushed down along the track it disengages the sear legs which will not allow the trigger to actuate the sear. The bottom portion of the disconnecter or paddle drops down between the trigger bow and the sear legs. Only when the slide is in full battery does the disconnecter move up into the notch allowing contact engagement of the paddle with the sear legs.

Grip Safety

The first part of the system is the grip safety. The trigger bow is blocked by the arm of the grip safety and the trigger cannot be pulled unless the grip safety is depressed.

Muzzle

The muzzle is the front end of barrel from which the projectile will exit.

Firing Pin and Spring

The firing pin is a long piece of turned metal with one end tapered and rounded. It transfers energy from the hammer to the tip of the striking surface on to a primed cartridge. Upon striking the primer the cartridge should discharge. The firing pin spring controls the speed of the firing pin movement forward and keeps the firing pin rearward when at rest. The firing pin spring should be strong enough to not allow the firing pin to move forward and strike the primer with enough force to discharge if the pistol sustains a fall from a reasonable distance.

Inertia Firing Pin

The firing pin is held in the rearward position by spring tension. Shorter than its housing, it cannot protrude through the face of the slide and contact the primer until the spring tension is overcome by the force of the falling hammer.

Series II Safety (Series II Models Only)

Series II models come equipped with the Kimber Series II Safety. This safety is actuated when the grip safety is depressed. Upon depressing the grip safety, a push rod will rise out of the frame on to the firing pin block in the slide, moving the block and clearing the path for the firing pin to strike the cartridge in the chamber.

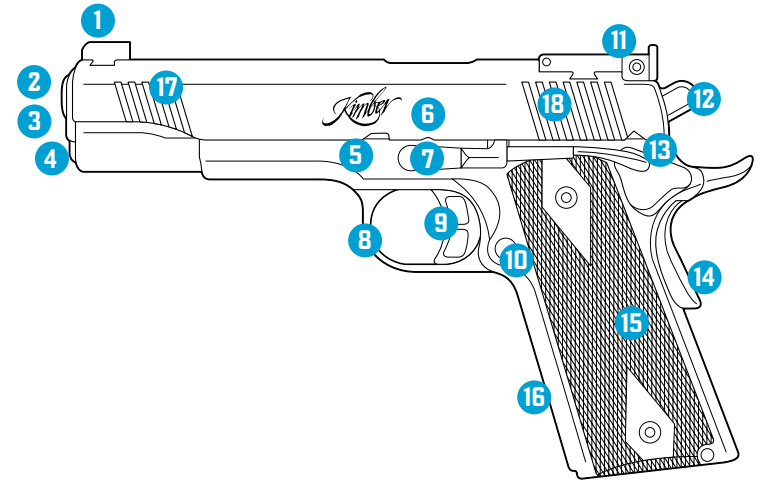
Thumb Safety

The thumb safety is a safety device that is activated by the use of one's thumb. When engaged in the "safe" position, the thumb safety prevents the trigger from discharging the firearm.

PERFORMANCE FEATURES

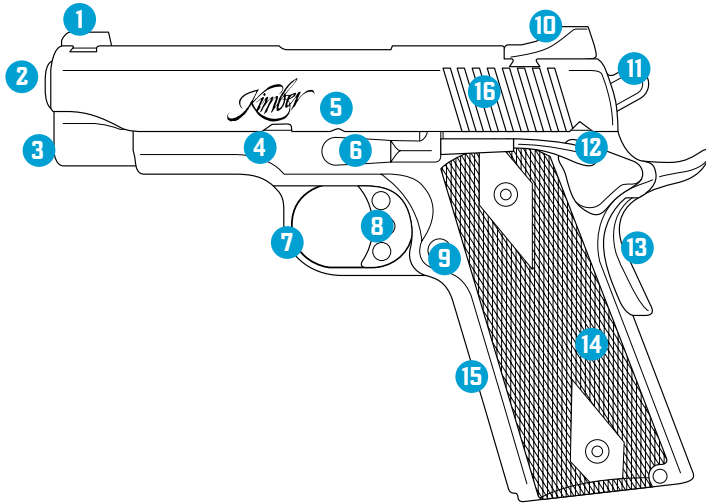
Long Slide, Custom models (6- and 5-inch barrel, full-length grip)

1. Front Sight
2. Barrel
3. Barrel Bushing
4. Recoil Spring Plug
5. Slide Stop Notch
6. Disassembly Notch
7. Slide Stop
8. Trigger Guard
9. Trigger
10. Magazine Release
11. Rear Sight
12. Hammer
13. Thumb Safety
14. Grip Safety
15. Grip
16. Frame
17. Front Slide Serrations
18. Rear Slide Serrations



Pro, Compact, Ultra, Ultra+ models

1. Front Sight
2. Barrel
3. Recoil Spring Plug
4. Slide Stop Notch
5. Disassembly Notch
6. Slide Stop
7. Trigger Guard
8. Trigger
9. Magazine Release
10. Rear Sight
11. Hammer
12. Thumb Safety
13. Grip Safety
14. Grip
15. Frame
16. Rear Slide Serrations



SAFETY FEATURES

The 1911 is equipped with several safety features which can, if properly used, help minimize the danger of an unintentional discharge.

▲WARNING

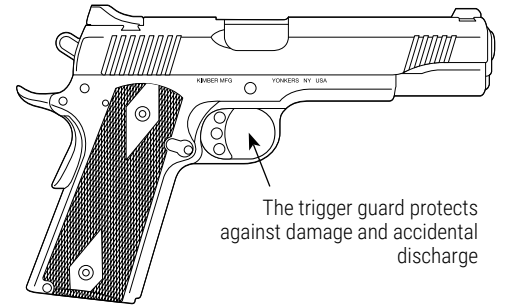
While this firearm has design features and mechanical safeties to help prevent an unintentional discharge if the firearm is dropped or hit, never exclusively rely on such features and safeties as mechanical devices can fail, and such features are not a substitute for safe handling practices and proper maintenance.

Trigger Guard

The trigger guard is a portion of the frame that surrounds the trigger, protecting it against damage and accidental discharge.

▲WARNING

Never put your finger inside the trigger guard until you intend to fire.



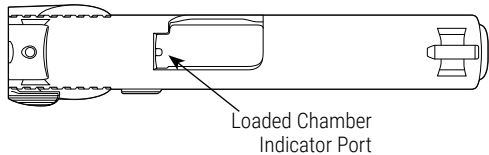
Loaded Chamber Indicator Port

The Loaded Chamber Indicator Port[®] is a small opening at the top rear of the barrel hood and, dependent on lighting conditions and on the color of the cartridge, may provide a visual indication as to whether or not a round is in the chamber. When a round is chambered and light is available, the shell casing may be visible. This feature is found on all currently manufactured Kimber centerfire 1911 pistols. However, **ALWAYS** abide by the Rules for

Firearm Safety as found in this Manual. **NEVER** rely exclusively on mechanical or visual safeties. You can never be sure that a firearm is completely unloaded until both the magazine is removed and the chamber is visually inspected. For unloading instructions, see pages 37–41.

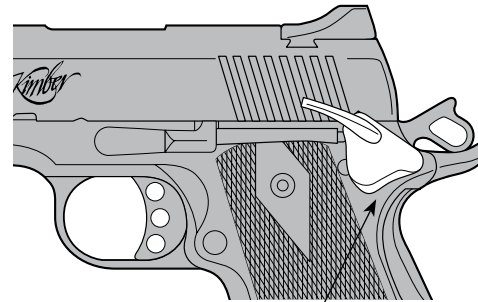
⚠WARNING

Although your Kimber 1911 firearm has a Loaded Chamber Indicator Port, you should never rely exclusively on it or your memory to determine whether your firearm is loaded or unloaded.

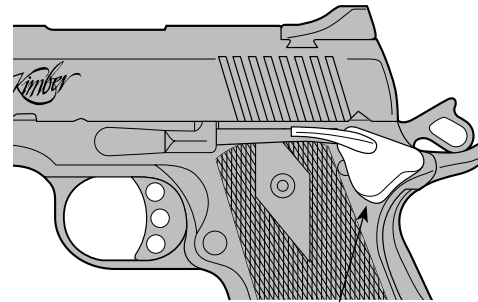


Thumb Safety

The thumb safety is located on the left side of the frame, immediately forward of the hammer and, if the firearm is equipped with an ambidextrous thumb safety, on both sides of the frame. To operate, keep the firearm pointed in a safe direction, pull the slide to its most rearward position and release. Then, push the thumb safety forcefully and fully upward until it fully engages. The safety is now engaged and in the on position. The safety now blocks the sear from rotating and releasing the hammer. You must continue to follow all safety rules (see pages 4–14) and instructions in this manual while handling the firearm. **NEVER** rely on any mechanical safety alone, as any mechanical device can fail, or you may be mistaken about the safety's position. Note that the thumb safety cannot be engaged unless the hammer is fully cocked and the slide is fully forward. To disengage the safety, keep the firearm pointed in a safe direction, move the thumb safety forcefully and fully to its downward or off position.



Thumb safety in "on" position /



Thumb safety in "off" position /

⚠WARNING

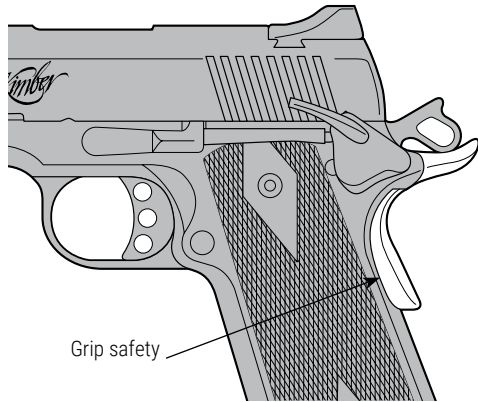
Placing the safety in an intermediate position between the "on" and "off" position can result in the user thinking the firearm is in a safe or fire position when it is not. Pulling the trigger with the safety in an intermediate position may cause the firearm to fire. Therefore, always move the safety fully to its intended position, "on" or "off," and then check to be sure it is where you want it to be. Never attempt to shoot the firearm with the safety only partially engaged, as the firearm may discharge and could result in death, serious injury or property damage.

⚠WARNING

NEVER rely exclusively on mechanical or visual safeties, as any mechanical device can fail, or you may be mistaken about the safety's position.

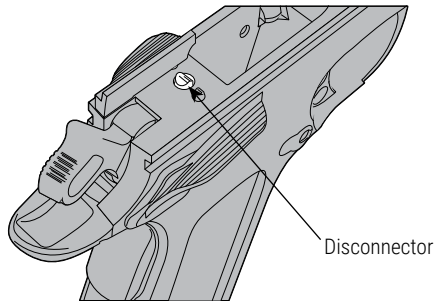
Grip Safety

The grip safety is located on the rear of the frame and immediately below the hammer. This safety is automatically disengaged when the pistol is properly gripped. When engaged, it prevents the rearward movement of the trigger. To disengage, grip the pistol grip firmly. This will allow the pistol to fire, provided the thumb safety is in the off position and the trigger is pulled.



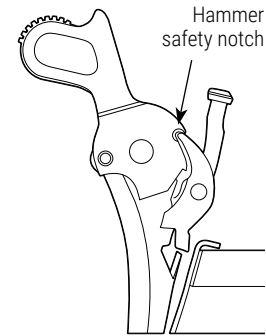
Disconnecter

The disconnecter prevents a round from being fired before it can be properly seated in the chamber with the slide and barrel locked. If the slide is not fully forward, the disconnecter disengages the sear so the hammer cannot drop if the trigger is pulled. With the slide fully forward and the barrel locked, a spring pushes the disconnecter into a recess in the bottom of the slide and allows the hammer to move forward when the trigger is pulled.



Hammer Safety Notch (Half Cock Position)

The hammer safety notch is a recess in the hammer which prevents it from traveling fully forward in the event of primary sear notch failure. It also prevents the hammer from contacting the firing pin if fingers slip from the slide or hammer while cocking the firearm if the hammer has moved past the stop. **The safety notch is not, however, a manual safety. Do not, under any circumstance, use the safety notch as a safety.**



⚠ WARNING

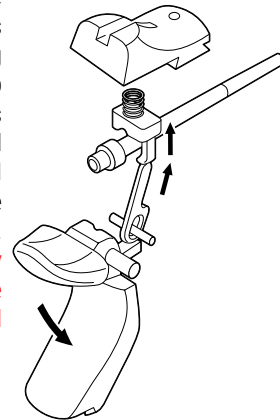
The safety notch is not a manual safety. Do not use the safety notch as a safety. This creates an unsafe condition that could result in damage to the sear and/or unintentional discharge that could result in death, serious injury or property damage.

Inertia Firing Pin

The firing pin is held in the rearward position by spring tension. Shorter than its housing, it cannot protrude through the face of the slide and contact the primer until the spring tension is overcome by the force of the falling hammer.

Series II Safety

A Kimber "Series II" pistol is clearly designated by "II" in the model name marked on the right side of the slide. Series II pistols have the Series II Safety. This feature makes the firing pin inactive until the grip safety is depressed. As with all other mechanical safeties, the Series II Safety does not reduce the need for safe handling. **NEVER** rely on any mechanical safety device alone, as any mechanical device can fail.



⚠ WARNING

Read through the entire manual before attempting to use this product. Safe operation of this firearm is your obligation, and requires that you completely read and understand this manual in its entirety.

BASIC OPERATION

Ammunition

Kimber firearms are designed to function effectively with quality factory-manufactured ammunition in the caliber for which the firearm is chambered. The following is information to help avoid potential ammunition related problems.

⚠ WARNING

Do not use +P+ ammunition because its pressures could exceed maximums established by the Sporting Arms and Ammunition Manufacturers' Institute, Inc. of the United States (SAAMI) and result in an unsafe condition that may cause serious injury or property damage.

1. Kimber recommends the use of high quality American factory-made ammunition.
2. Do not oil cartridges or spray lubricants, preservatives or cleaners on cartridges or where excess spray may come into contact with cartridges. Lubricants and other foreign matter on cartridges may cause potentially dangerous ammunition malfunctions. Use only ammunition of the caliber for which a firearm is chambered.
3. **The use of reloaded, hand-loaded, remanufactured or other non-standard ammunition voids all warranties. Kimber specifically disclaims responsibility for any injury or damage whatsoever occurring in connection with, or as a result of, the use in Kimber firearms of faulty, reloaded, hand-loaded, remanufactured or other non-standard ammunition, or of cartridges other than those for which the firearm was originally chambered.**
4. **Use only ammunition of the caliber for which a firearm is chambered. Improper ammunition and improperly loaded ammunition can be extremely dangerous. Severe damage to the firearm and serious injury to the shooter or to others may result.** Always use ammunition that complies with the industry performance standards established by SAAMI. **Death, serious injury, or damage to the firearm may result from any condition causing excessive pressure inside the chamber or barrel when a round is fired. Excess pressure may be caused by obstruction in the barrel, propellant powder overloads or by the use of incorrect or improperly-assembled cartridges. In addition, the use of a dirty, corroded or damaged cartridge may lead to a burst case and consequent damage to the firearm and personal injury from the sudden escape of high-pressure propellant gas within the firearm's mechanism.**
5. **Immediately stop shooting, unload the firearm as directed in this manual (see pages 37-41), and check the barrel for a possible obstruction whenever:**
 - **Experiencing difficulty in or feeling unusual resistance when chambering a cartridge, or**
 - **A cartridge does not fire (and you have waited at least 30 seconds with firearm pointing in a safe direction and cartridge still does not fire), or**
 - **The firearm fails to extract or eject a fired cartridge case, or**
 - **Unburned grains of powder are noticed in or around the firearm, or**
 - **A shot sounds weak or abnormal, or recoil is less than usual**

In the above and other cases, it is possible that a bullet is lodged part way down the barrel. Firing a subsequent bullet into an obstructed barrel may cause death or serious injury or damage to the firearm.

Bullets may become lodged in the barrel:

- If the cartridge has been improperly loaded without propellant powder or if the powder fails to ignite. In this case, ignition of the primer alone may push the bullet out of the cartridge case and into the barrel but usually does not generate sufficient energy for the bullet to exit the barrel.
 - If the bullet is loose or improperly seated within the cartridge case. When such a cartridge is extracted from the chamber without being fired, the bullet may be left behind in the bore at the point where the rifling begins. Subsequent chambering of another cartridge can push the first bullet farther into the bore and create an obstructed barrel.
6. If there is any reason to suspect that a bullet is obstructing the barrel, immediately unload the firearm as directed in this manual (see pages 37–41) and lock the slide to the rear. Then, insert a cleaning rod from the barrel's muzzle

all the way through to the barrel's breech face to confirm that the barrel is not obstructed. If no cleaning rod is available, disassemble (field strip) the firearm as instructed in this manual (see pages 46–59) so you can safely look through the barrel from the chamber end through to the muzzle. It is not sufficient to merely look in the chamber. A bullet may be lodged some distance down the barrel where it cannot easily be seen.

▲WARNING

If a bullet is in the bore or lodged in the barrel, do not attempt to shoot it out by using another cartridge, by blowing it out with a blank or with a cartridge from which the bullet has been removed. Such actions can generate excessive pressure, damage the firearm and cause death, serious personal injury or property damage.

If the bullet can easily be removed with a wood or brass dowel (using hand pressure only; never "hammer" a bullet lodged in the bore) clean any unburned powder grains from

the bore, chamber and mechanism before resuming shooting. If the bullet cannot be dislodged without force, contact Kimber Customer Service.

7. Dirt, corrosion or other foreign matter on a cartridge can impede complete chambering which in turn may cause the cartridge case to burst upon firing. The same is true of cartridges which are damaged or deformed.
8. Do not oil cartridges and be sure to always wipe the chamber clean of any oil preservative that may be present before chambering or firing. Oil interferes with the friction between the cartridge case and chamber wall that is necessary for safe functioning, and subjects the firearm to stress similar to that imposed by excessive pressure.
9. Use quality lubricants on all moving parts of the firearm in accordance with the lubrication instructions (see pages 65–66) of this manual. Avoid excessive spraying of aerosol products, especially where it may contact or contaminate

ammunition. All lubricants, and aerosol spray lubricants in particular, can penetrate cartridge primers and cause misfires. Some highly-penetrative lubricants can also get inside cartridge cases and cause deterioration of the propellant powder so that upon firing the powder may not ignite. If only the primer ignites, there is a danger that the bullet may become lodged in the barrel.

▲WARNING

Never use ammunition not specifically designated for use in your firearm. Failure to use the correct type or caliber of ammunition may cause the firearm to jam, fail to fire, have an obstructed bore, or even generate excessive pressure, which can cause death, serious injury or property damage.

▲WARNING

If a bullet is in the bore or lodged in the barrel, do not attempt to shoot it out by using another cartridge, by blowing it out with a blank or with a cartridge from which the bullet has been removed. Such actions can generate excessive pressure, and cause death, serious personal injury or property damage.

▲WARNING

Death, serious injury or property damage can result from a bore obstruction.

▲WARNING

Do not use reloaded, hand-loaded, remanufactured or other non-standard ammunition. Use of any such ammunition voids all warranties, and can cause death, serious injury or property damage. Kimber specifically disclaims responsibility for any damage or injury whatsoever occurring in connection with, or as a result of, the use in Kimber firearms of faulty, reloaded, hand-loaded, remanufactured or other non-standard

ammunition, or of cartridges other than those for which the firearm was originally chambered.

▲WARNING

Do not oil cartridges or spray lubricants, preservatives or cleaners on cartridges or where excess spray may come into contact with cartridges. Lubricants and other foreign matter on cartridges may cause potentially dangerous ammunition malfunctions. Oil and solvent can penetrate cartridge primers and can cause misfires. To help reduce the chance of this happening, do not allow oil or solvent to remain in the firing pin channel, on the breech face or inside the magazine.

▲WARNING

Read through the entire manual before attempting to use this product. Safe operation of this firearm is your obligation, and requires that you completely read and understand this manual in its entirety.

▲WARNING

Do not use +P+ ammunition because its pressures could exceed SAAMI maximums and result in an unsafe condition that may cause death, serious injury or property damage.

NOTE

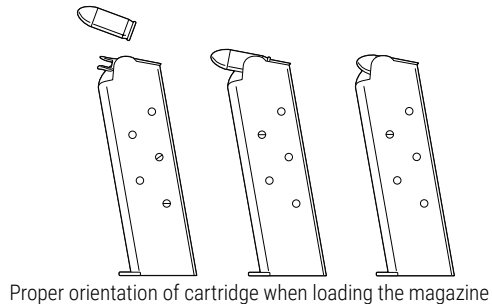
Although this Kimber firearm is capable of functioning with +P ammunition in the appropriate caliber for the firearm, a steady diet of +P ammunition may affect the wear characteristics, shorten the life and endurance of your firearm, and necessitate more frequent maintenance and replacement of parts. Do not use +P+ ammunition.

Loading

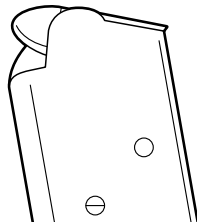
Keep the muzzle pointed in safe direction and follow the rules of firearm safety and all other safety procedures at all times. Practice these steps with an unloaded firearm or dummy ammunition until you are completely familiar and comfortable with all procedures. Use live ammunition only when prepared to shoot. Only use clean, dry and high-quality factory-fresh ammunition in the firearm, of the proper caliber, that meets industry performance standards. **NEVER TOUCH THE TRIGGER WHEN LOADING OR UNLOADING THE FIREARM.**

▶ OPERATION

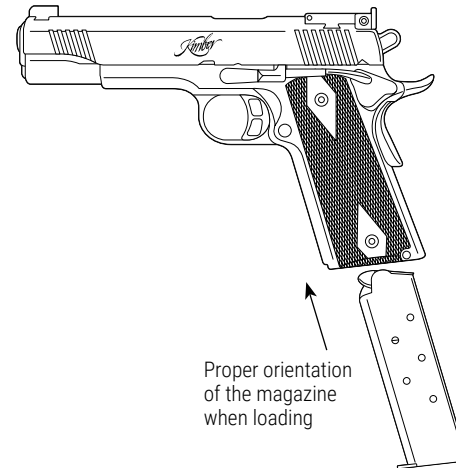
1. With an empty magazine in the firearm, pull the slide back until the slide stop engages the slide stop notch, locking the slide open.
2. To remove the empty magazine, press the magazine release button located on the left side of the frame behind the trigger. This will allow the magazine to fall free from the magazine well.
3. To load the magazine, place a cartridge at the top (open end) and then push it down and back, making sure that the rear of the cartridge is facing the rear of the magazine. Repeat until the magazine is fully loaded.



NOTE
Fully seat the top round



4. Insert the top of the magazine into the magazine well at the bottom of the frame, with bullets facing forward, and push upward until the magazine is fully seated. When done properly, a click can be heard as the magazine catch engages.



5. To chamber a round: grip and hold the firearm firmly in the shooting hand **making sure the muzzle is pointing in a safe direction. Keep fingers outside of the trigger guard and not touching the trigger.** With the thumb and forefinger of the opposite hand, grab the serrations on both sides of the rear of the slide and pull it fully rearward, then release it allowing the slide to fall forward unhindered and unassisted. Do not hold or restrict the travel of the slide as it moves to the forward position. Holding or restricting the travel of the slide may cause failure to feed or misfeed, or prevent the slide from fully closing. The firearm is now fully loaded and ready to fire. **Keep the muzzle pointed in a safe direction and engage the thumb safety until ready to shoot.**

▲WARNING

Do not use excessive force when inserting a loaded magazine into the firearm. Excessive force could cause an open slide to move forward, chambering a round and making the firearm ready to fire.

▲WARNING

The firearm is now fully loaded and ready to fire. Keep the muzzle pointed in a safe direction and fully engage the thumb safety until ready to shoot. Always unload firearm immediately after use and before storage.

▲WARNING

When retracting the slide is necessary as instructed in this manual, the slide should always be pulled rearward (“retracted”) by placing your fingers on the slide serrations and pulling. Always keep your fingers out of the trigger guard and away from the trigger while retracting slide. Never put any part of your hand or body over or in front of the muzzle while retracting the slide.

▲WARNING

Always load cartridges from the magazine only. Keep your finger off the trigger and outside of the trigger guard until prepared to fire. Failure to do so could result in death, serious injury or other property damage.

▲WARNING

Never use ammunition not specifically designated for use in your firearm. Failure to use the correct type or caliber of ammunition may cause the firearm to jam, fail to fire, have an obstructed bore, or even generate excessive pressure, which can cause death, serious injury or property damage.

▲WARNING

Do not use reloaded, hand-loaded, remanufactured or other non-standard ammunition. Use of any such ammunition can cause death, serious injury or property damage and voids all warranties. Kimber specifically disclaims responsibility for any damage or injury whatsoever occurring in connection with, or as a result of, the use in Kimber firearms of faulty, reloaded, hand-loaded, remanufactured or other non-standard ammunition, or of cartridges other than those for which the firearm was originally chambered.

▲WARNING

Read through the entire manual before attempting to use this product. Safe operation of this firearm is your obligation, and requires that you completely read and understand this manual in its entirety.

NOTE

Kimber 1911 pistols are designed to function best with projectiles that have a smooth contoured nose. Kimber recommends high quality, factory-fresh ammunition that meets SAAMI specifications.

Unloading

▲WARNING

This firearm is able to fire both with and without the magazine inserted. Removing the magazine will not unload the firearm or prevent the firearm from firing a cartridge that is left or placed in the chamber. The firearm is not unloaded until the magazine is removed, the chamber is empty, and the magazine well and chamber are both checked visually to be sure they are both empty.

▲WARNING

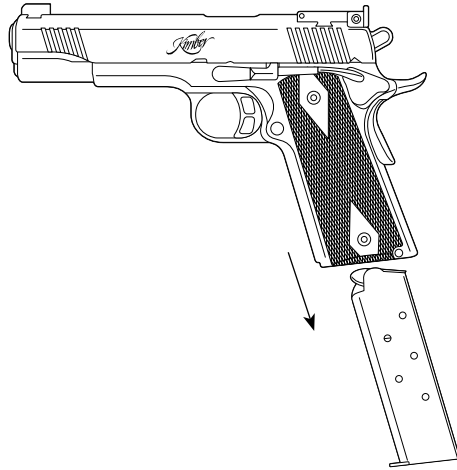
When retracting the slide is necessary as instructed in this manual, the slide should always be pulled rearward (“retracted”) by placing your fingers on the slide serrations and pulling. Always keep your fingers out of the trigger guard and away from trigger while retracting slide. Never put any part of your hand or body over or in front of the muzzle while retracting the slide.

Unloading if the Firearm's Slide is Forward:

1. To unload if the firearm's slide is forward, **make sure the muzzle is always pointed in a safe direction** and your finger is outside the trigger guard and off the trigger throughout the unloading process.
2. Remove the magazine by pressing the magazine release button located on the left side of the frame behind the trigger. This will allow the magazine to fall free from the magazine well.
3. Keeping your finger clear of the trigger, and being sure the muzzle is pointed in a safe direction, grasp the slide serrations and pull the slide fully to the rear. This will clear (eject) the live round from the chamber.

⚠WARNING

If the magazine is not removed prior to working (cycling) the slide to clear the chamber, any rounds left in the magazine will be chambered. This could lead to an unintentional discharge. This firearm will fire with a round chambered and the magazine removed.

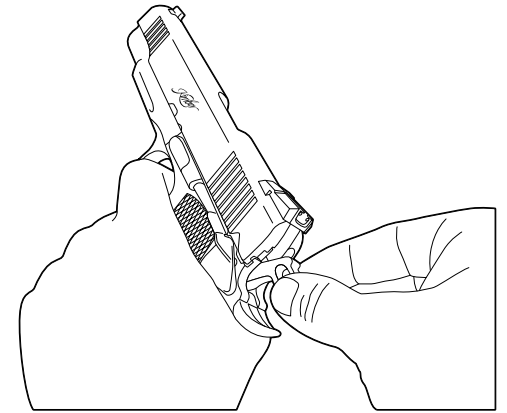


⚠WARNING

In clearing the chamber, allow the ejected round to fall freely out of the firearm, preferably onto a soft, clean surface. Do not cover the ejection port with your hand and try to catch the round as it is ejected, as serious injury could result.

4. Engage the slide stop by pulling the slide rearward while pushing the slide stop upward into the slide stop notch. **Visually check to see that the chamber is clear.**
5. Pointing the firearm in a safe direction, release the slide forward onto the empty chamber by pulling slide fully rearward and ease the slide forward to the closed position.
6. Only after you have confirmed that the firearm is unloaded and you have performed all of the steps above, point the firearm in a safe direction, place your finger on the trigger and place the thumb and index finger of your opposite hand on the hammer. **Never do this with a loaded firearm.**
7. While supporting the hammer with your thumb and index finger, pull the trigger to the rear and hold it while allowing the hammer to slowly lower to the forward position with your thumb and index finger and then release the trigger. **Never do this with a loaded firearm.**

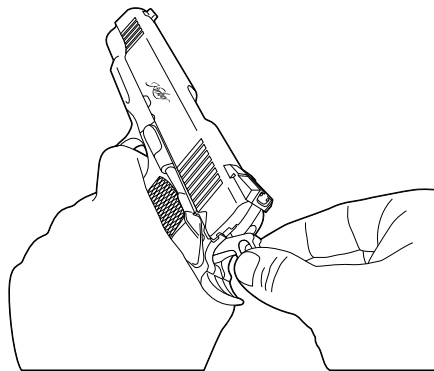
8. To remove any remaining rounds from the magazine, push the cartridges forward until they clear the retaining lips.
9. Store the firearm properly in an unloaded condition as instructed in this manual (see page 69 regarding storage).



Unloading if the Firearm's Slide is Locked Open:

1. If you have fired the firearm until it is empty and the slide locks open (to the rear), to complete the unloading process, first remove the magazine.
2. Remove the empty magazine by placing your left hand under the grip. With the right thumb, press the magazine release button located on the left side of the frame behind the trigger. This will allow the magazine to fall free from the magazine well.
3. Visually inspect to be certain the firearm's chamber and magazine well are empty.
4. Pointing the firearm in a safe direction, release slide forward onto the empty chamber by pulling slide fully rearward and easing the slide forward to the closed position.
5. Only after you have confirmed that the firearm is unloaded and you have performed all of the steps above, point the firearm in a safe direction, place your finger on the trigger and place the thumb of your opposite hand on the hammer. **Never do this with a loaded firearm.**

6. Pull the trigger to the rear and hold it while lowering the hammer to the forward position with your thumb and then release the trigger. **Never do this with a loaded firearm.**



7. To remove any remaining rounds from the magazine, push the cartridges forward until they clear the retaining lips.

8. Store the firearm properly in an unloaded condition as instructed in this manual (see page 69 regarding storage).

⚠ WARNING

Read through the entire manual before attempting to use this product. Safe operation of this firearm is your obligation, and requires that you completely read and understand this manual in its entirety.

Function Checks

Break-In

NOTICE

Before firing the firearm for the first time, field strip and clean the firearm following proper procedures (see Disassembly, Cleaning and Lubrication, and Assembly instructions in this manual). Kimber 1911 pistols are built to exacting standards. Your new Kimber may require a few magazines of high-quality factory-fresh ammunition to break-in the pistol. If you have any concerns regarding

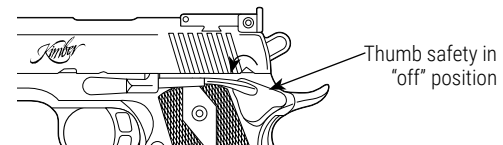
the performance of your Kimber 1911, please contact Kimber Customer Service.

Firing

⚠ WARNING

Always wear eye and hearing protection when shooting. Failure to do so may result in hearing loss and/or eye injury. See page 10 in this manual.

1. Point the muzzle in a safe direction at all times.
2. Load the firearm as previously indicated in this manual on pages 33–37.
3. Grip the frame firmly, depressing the grip safety.
4. With finger clear of the trigger, rotate the thumb safety downward.



5. Assume a preferred proper shooting position.
6. With the firearm pointed at the target: aim, place index finger on trigger and gently squeeze until the hammer is released and falls forward striking the firing pin. Be prepared for loud noise and recoil.

▲WARNING

This is a semi-automatic firearm and will eject the empty cartridge case, recock the hammer and chamber a live round. It will continue to fire one shot with each subsequent pull of the trigger until all rounds in the magazine have been fired. Be sure that your thumb, face and other body parts are safely clear from behind the slide and firearm, so they cannot be hit by the recoiling slide and firearm when the shot is fired.

7. Continue until magazine is empty and slide is locked open.
8. If all rounds are not fired and you wish to stop shooting, remove the magazine, retract the slide rearward to its farthest

position, immediately engage the slide stop and follow procedures for unloading as described in this manual (see 37–41).

▲WARNING

When retracting the slide is necessary as instructed in this manual, the slide should always be pulled rearward (“retracted”) by placing your fingers on the slide serrations and pulling. Always keep your fingers out of the trigger guard and away from trigger while retracting the slide. Never put any part of your hand or body over or in front of the muzzle while retracting the slide.

▲WARNING

Never pull the trigger if the slide does not fully close to prevent a possible out of battery firing. If this happens, unload the firearm as instructed in this manual (see pages 37–41). Examine the round that was in the chamber and check the chamber to ensure that there are no obstructions or debris in it.

▲WARNING

In case of a failure to fire, continue to hold your firearm pointed towards the target for at least 30 seconds. If after 30 seconds, the round still does not fire, a hangfire (slow ignition) may possibly be the cause. If the round has not fired after 30 seconds, remove the magazine as instructed in this manual (see page 38), clear the firearm while keeping the muzzle pointed in a safe direction and the ejection port turned away from your face, eyes and other body parts, and examine the ejected, unfired cartridge. If the indent from the firing pin is off center, light or absent, contact Kimber Customer Service to arrange to have it examined by Kimber. If the firing pin indentation on the primer appears normal (compared to similar previously fired cartridges) the cartridge may be defective. Separate the cartridge from other live ammunition and empty cases, reload your firearm as instructed in this manual (see pages 33–37) and resume firing.

All auto-loading firearms may occasionally experience a malfunction (jam) related to the feeding of ammunition. If a cartridge jams do not attempt to force it into the chamber. Carefully remove it by following instructions on clearing a malfunction (jam) (see pages 44–45). Most malfunctions are caused by improper ammunition, an improper grip on the firearm when shooting, improper lubrication or a damaged magazine. To help minimize the chance of malfunctions (jams), regularly perform preventative maintenance on your firearm pursuant to the instructions in this manual. If you experienced a malfunction (jam) while using a new brand, type or lot of ammunition, try firing another type of ammunition to determine whether the ammunition was the source of the malfunction (jam).

▲WARNING

Read through the entire manual before attempting to use this product. Safe operation of this firearm is your obligation, and requires that you completely read and understand this manual in its entirety.

Clearing a Malfunction (Jam)

1. Always keep the muzzle pointed in a safe direction and be sure that the thumb safety is in the on or "safe" position.
2. Remove the magazine as instructed in this manual.
3. Disengage the thumb safety.
4. Lock the slide open with the slide stop before attempting to clear jam (Drawing the slide fully to the rear may bring the jammed cartridge along).
5. If the cartridge can easily be removed with a wood or brass dowel (using hand pressure only; never "hammer" a jammed cartridge) clean any unburned powder grains from the bore, chamber and mechanism before resuming shooting. If the cartridge cannot be dislodged without force, contact Kimber Customer Service.

⚠️ WARNING

In case of a failure to fire, continue to hold your firearm pointed towards the target for at least 30 seconds. If after 30 seconds, the round still does not fire, a hangfire (slow ignition) may possibly be the cause. If the round has not fired after 30 seconds, remove the magazine as instructed in this manual (see page 38). Clear the firearm while keeping the muzzle pointed in a safe direction and the ejection port turned away from your face, eyes and other body parts, and examine the ejected, unfired cartridge. If the indent from the firing pin is off center, light or absent, contact Kimber Customer Service to arrange to have it examined by Kimber. If the firing pin indentation on the primer appears normal (compared to similar previously fired cartridges) the cartridge may be defective. Separate the cartridge from other live ammunition and empty cases, reload your firearm and resume firing.

All auto-loading firearms may occasionally experience a malfunction (jam) related to the feeding of ammunition. If a cartridge jams do not attempt to force it into the chamber. Carefully remove it by following instructions on clearing a malfunction (jam) (see pages 44–45). Most malfunctions are caused by improper ammunition, an improper grip on the firearm when shooting, improper lubrication or a damaged magazine. To help minimize the chance of malfunctions (jams), regularly perform preventative maintenance on your firearm pursuant to the instructions in this manual. If you experienced a malfunction (jam) while using a new brand, type or lot of ammunition, try firing another type of ammunition to determine whether the ammunition was the source of the malfunction (jam).

⚠️ WARNING

Do not use a metal tool to attempt to remove an unfired cartridge because it could ignite the primer and fire or rupture into fragments out of the ejection port with sufficient force that could cause death, serious injury or property damage.

⚠️ WARNING

If a bullet is in the bore or lodged in the barrel, do not attempt to shoot it out by using another cartridge, by blowing it out with a blank or with a cartridge from which the bullet has been removed. Such actions can generate excessive pressure that could cause death, serious injury or property damage.

⚠️ WARNING

Wear eye protection while attempting to clear a malfunction (jam). (See page 10).

⚠️ WARNING

Before using this firearm, carefully read this manual in its entirety, understand and follow all instructions and warnings. Failure to read this manual and understand and follow all instructions and warnings may result in an unsafe condition that could cause death, serious injury or property damage.

Disassembly (Field Stripping) & Assembly

▲WARNING

Make certain that firearm is unloaded before beginning disassembly. Otherwise, the firearm may fire when you pull the trigger to release the hammer. This may cause death, serious injury or property damage

Disassembly (Field Stripping): Models with Barrel Bushing

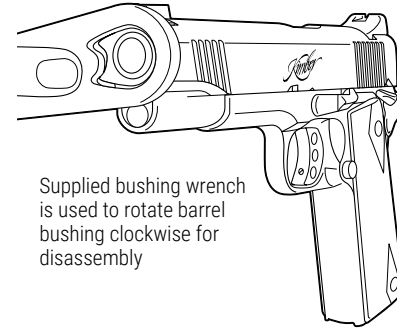
1. Keeping the firearm pointed in a safe direction and your fingers outside the trigger guard, unload the firearm (see pages 37–41) and visually inspect that the magazine well and chamber are empty and the hammer down; depress the recoil spring plug with the supplied wrench and then turn the barrel bushing clockwise (toward the right side of the pistol) until the recoil spring plug and recoil spring are free.

▲WARNING

Exercise great caution as the recoil spring and plug are under tension and can fly out with enough force to cause serious injury or property damage. Wear eye protection while disassembling and assembling (see page 10).

NOTICE

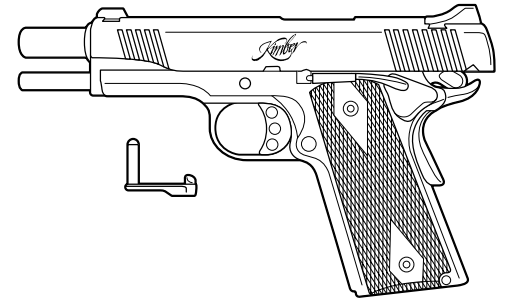
Series II pistols: To disassemble, the grip safety must not be engaged. If the grip safety is depressed while attempting to remove the slide, the push rod for the firing pin block will be activated. Activating the grip safety will not allow the slide to be removed. If forced, damage could occur to the firearm which will not be covered under warranty.



Supplied bushing wrench is used to rotate barrel bushing clockwise for disassembly

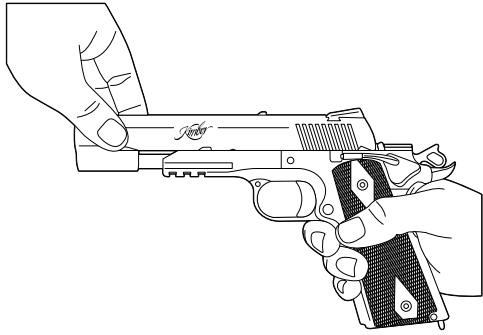
2. Remove the recoil spring and plug. If the recoil spring does not remove easily, remove the plug and leave the spring for Step 6. Note that the open end of the recoil spring always goes into the plug.
3. Cock the hammer and move the slide toward the rear until the semi-circular tab on the back of the slide stop aligns with the semicircular disassembly notch in the bottom of the slide.

4. Holding the slide in that position, push inward on the protruding end of the slide stop pin (on the right side of the slide) and remove the slide stop from the left side.



▶ OPERATION

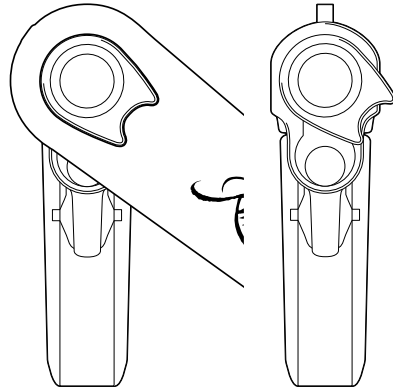
- Slide the slide assembly forward and off the frame.



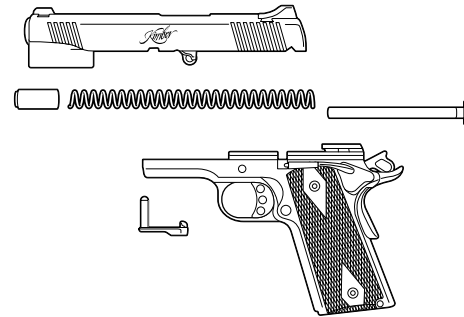
NOTE

Do not depress the grip safety when attempting to remove the slide.

- Remove the recoil spring through the opening at the front of the slide if unable to do so in Step 2.
- Using a bushing wrench, turn the barrel bushing counter-clockwise until the lug aligns with the opening and then remove the bushing from the front of the slide.



- Remove the full-length recoil spring guide rod from the bottom of the slide by lifting the guide rod head away from the barrel and then withdrawing it towards the rear of the slide. If the barrel link interferes, invert the slide and rotate the link to its full forward position. The guide rod can now be lifted over the link.
- Tip the barrel link forward to clear the recoil spring tunnel, then pull the barrel forward and clear of the slide.



The firearm is now disassembled. No further disassembly is required for general cleaning.

Do not drop the hammer while the slide is removed from the pistol.

⚠ WARNING

Do not disassemble your firearm beyond field stripping outlined in this manual. Do not manipulate any internal components beyond what you are instructed to do in this manual. Failure to follow this WARNING may damage or affect the reliability, safety or performance of your firearm, and such failure will void the warranty, and create a potential risk of death, serious injury or property damage, and will void the warranty.

NOTICE

Do not dry fire your Kimber 1911 pistol while the slide is removed. Doing so can cause damage to the firearm.

⚠WARNING

Do not alter, modify or replace any of the parts of your firearm unless this work is performed by Kimber Product Services. Failure to abide by this WARNING may damage or affect the reliability, safety or performance of your firearm, and create a potential risk of death, serious injury, or property damage and voids all warranties.

⚠WARNING

Kimber firearms should be cleaned after each use or exposure to the elements. Even when not in use, Kimber firearms should be cleaned and lubricated every six months to protect their appearance and ensure readiness.

**Assembly from Field Stripped Condition:
Models with Barrel Bushing**

1. Take the slide in one hand with the underside of the slide facing upward.
2. Take the barrel with the barrel link facing upward and laying forward to clear the recoil spring tunnel.
3. Carefully push the barrel back into the muzzle end of the slide.
4. Take the barrel bushing and re-insert it into the slide, over the end of the barrel, making sure to align the lug with the opening of the recoil spring tunnel.
5. Turn the barrel bushing clockwise until it is close to the 9 o'clock position.
6. Insert the guide rod from the breech end of the slide. Make sure the contoured edge of the guide rod head is facing the barrel and the radius edge is facing outward.

7. Slide the recoil spring through the opening at the front of the slide down the guide rod until it is fully seated against the head of the guide rod.

NOTE

Always slide the closed end of the recoil spring down the guide rod. The open end is always facing out toward the recoil plug.

8. Pick up the slide assembly with your hand securing the guide rod and recoil spring with your thumb, turn it right side up and slide the assembly on to the frame rails. To ensure ease of assembly, make sure the hammer on the frame is in the fully cocked position.
9. Bring the slide and barrel back to the position where the barrel link is aligned with the slide stop hole in the frame.

NOTE

Do not depress the grip safety at any time while assembling the slide on Series II models.

10. While holding the slide in that position, view through the slide stop pin hole to assure the link from the barrel is in line with the hole.
11. Gently insert the slide stop pin end into the hole. Once seated, align the disassembly notch with the slide stop rectangular notch in the frame.
12. While taking care not to scratch the frame, rotate the slide stop to align with the hole, and then push inward until fully seated.
13. Once fully seated bring the slide to the full battery (closed) position and place the safety levers on safe.
14. Take your recoil spring plug and place it on the end of the recoil spring and slide it and the recoil spring inward until it just below the front end of the slide.

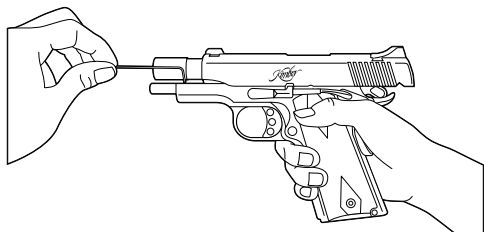
⚠WARNING

Exercise great caution as the recoil spring and plug are under tension and can fly out with enough force to cause serious injury, property damage or loss. Wear eye protection while disassembling and assembling (see page 10).

15. Capture the recoil spring plug by rotating the barrel bushing counter-clockwise into place.
16. Take the safety off and cycle the slide a few times to ensure proper installation was achieved.

**Disassembly (Field Stripping):
Models without Barrel Bushing**

1. Keeping the firearm pointed in a safe direction and your fingers outside the trigger guard, unload the firearm (See pages 37–41) and visually inspect that the magazine well and chamber are empty, and the hammer down; open and lock back the slide. Locate the small hole in the recoil spring guide rod and insert the supplied takedown tool into the takedown pin hole. Pull the slide back, releasing tension on the slide stop and then gently let it travel forward until it stops and the recoil spring tension is captured by the tool.



⚠WARNING

Exercise great caution as the recoil spring and plug are under tension and can fly out with enough force to cause serious injury, property damage or loss. Wear eye protection while disassembling and assembling (see page 10).

NOTICE

Series II pistols: To disassemble, the grip safety must not be engaged. If the grip safety is depressed while attempting to remove the slide, the push rod for the firing pin block will be activated. Activating the grip safety will not allow the slide to be removed. If forced, damage could occur to the firearm which will not be covered under warranty.

2. Move the slide forward until the semicircular tab at the rear of the slide stop aligns with the semicircular disassembly notch in the left side bottom of the slide.

3. Holding the slide in that position, push inward on the protruding end of the slide stop pin (on the right side of the slide) and remove the slide stop from the left side.
4. Remove the slide by guiding it forward and off the frame.

NOTE

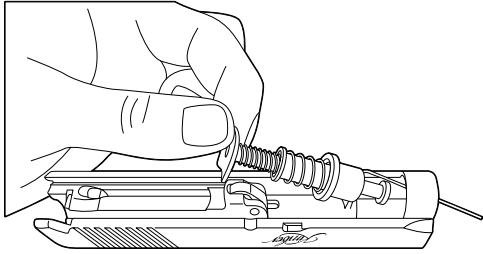
Do not depress the grip safety when attempting to remove the slide.

⚠WARNING

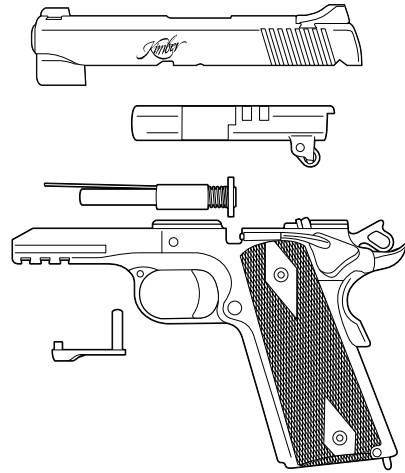
Before using this firearm, carefully read this manual in its entirety, understand and follow all instructions and warnings. Failure to read this manual and understand and follow all instructions and warnings may result in an unsafe condition that could cause death, serious injury or property damage.

▷ OPERATION

5. Remove the recoil spring guide assembly by withdrawing it toward the rear of the slide.



6. Remove the barrel by first tipping the barrel link forward to clear the recoil spring tunnel in the slide, and then slide the barrel out toward the front of the slide.



The firearm is now disassembled. No further disassembly is required for general cleaning.

Do not drop the hammer while the slide is removed from the firearm.

⚠WARNING

Do not disassemble your firearm beyond field stripping outlined in this manual. Do not manipulate any internal components beyond what you are instructed to do in this manual. Failure to follow this WARNING may damage or affect the reliability, safety or performance of your firearm and create a potential risk of death, serious injury, or property damage and voids all warranties.

NOTICE

Do not dry fire your Kimber 1911 pistol while the slide is removed. Doing so can cause damage to the firearm.

⚠WARNING

Do not alter, modify or replace any of the parts of your firearm unless this work is performed by Kimber Product Services. Failure to abide by this WARNING may damage or affect the reliability, safety or performance of your firearm and create a potential risk of death, serious injury, or property damage and voids all warranties.

⚠WARNING

Kimber firearms should be cleaned after each use or exposure to the elements. Even when not in use, Kimber firearms should be cleaned and lubricated every six months to protect their appearance and ensure readiness.

Assembly (from Field Stripped Condition): Models without Barrel Bushing

1. Take the slide in one hand with the underside of the slide facing upward.
2. Take the barrel with the barrel link facing upward and laying forward to clear the recoil spring tunnel.
3. Carefully push the barrel back into the muzzle end of the slide.
4. Insert the captured recoil spring assembly from the breech end of the slide. Make sure the contoured edge of the guide rod head is facing the barrel and the radius edge is facing outward.

▲WARNING

Exercise great caution as the recoil spring and plug are under tension and can fly out with enough force to cause serious injury, property damage or loss. Wear eye protection (See page 10) while disassembling and assembling.

5. Pick up the slide assembly with your hand securing the guide rod and recoil spring assembly with your thumb, turn it right side up and slide the assembly on to the frame rails. To ensure ease of assembly, make sure the hammer on the frame is in the fully cocked position.
6. Bring the slide and barrel back to the position where the barrel link is aligned with the slide stop hole in the frame.

NOTICE

Do not depress the grip safety at any time while assembling the slide on Series II models.

7. While holding the slide in that position, view through the slide stop pin hole to assure the link from the barrel is in line with the hole.

8. Gently insert the slide stop pin end into the hole. Once seated, align the slide stop notch in the slide with the slide stop rectangular notch in the frame.
9. Taking care to avoid scratching the frame, rotate the slide stop to align with the hole, and then push inward until fully seated.
10. To remove the takedown tool, pull the slide fully to the rear and lock the slide stop into the slide stop notch to take pressure off of the takedown tool.
11. Pull back on the slide and ease the slide forward into battery.
12. Cycle the slide a few times to ensure proper installation was achieved.

Alternate Method for Disassembly (Field Stripping): Models without Barrel Bushing

▲WARNING

Exercise great caution as the recoil spring and plug are under tension and can fly out with enough force to cause serious injury, property damage or loss. Wear eye protection (See page 10) while disassembling and assembling.

NOTICE

Series II pistols: To disassemble, the grip safety must not be engaged. If the grip safety is depressed while attempting to remove the slide, the push rod for the firing pin stop will be activated. Activating the grip safety will not allow the slide to be removed. If forced, damage could occur to the firearm which will not be covered under warranty.

NOTE

This method takes a fair amount of strength to accomplish.

1. Keeping the firearm pointed in a safe direction and your fingers outside the trigger guard, unload the firearm (See pages 37–41) and visually inspect the magazine well and chamber to see that they are empty. Make sure the hammer is down, then retract the slide and align the slide stop with the slide stop disassembly notch.
2. Holding the slide in that position, push inward on the protruding end of the slide stop pin (on the right side of the slide) and remove the slide stop from the left side.

3. Remove the slide by guiding it forward and off the frame.

NOTE

Do not depress the grip safety when attempting to remove the slide.

4. Push forward on the head of the guide rod to expose the takedown pin hole near the front of the rod itself.
5. Insert the small end of the takedown tool in the guide rod hole, then slowly release the tension on the recoil spring.

▲WARNING

Exercise great caution as the recoil spring and plug are under tension and can fly out with enough force to cause serious injury, property damage or loss. Wear eye protection while disassembling and assembling (see page 10).

6. The recoil spring and guide rod assembly is now captive.

7. Remove the recoil spring guide assembly by withdrawing it toward the rear of the slide.
8. Remove the barrel by first tipping the barrel link forward to clear the recoil spring tunnel in the slide, and then slide the barrel out toward the front of the slide.

The pistol is now disassembled. No further disassembly is required for general cleaning.

Do not drop the hammer while the slide is removed from the firearm.

⚠WARNING

Do not disassemble your firearm beyond field stripping outlined in this manual. Do not manipulate any internal components beyond what you are instructed to do in this manual. Failure to follow this WARNING may damage or affect the reliability, safety or performance of your firearm and create a potential risk of death, serious injury, or property damage and voids all warranties.

NOTICE

Do not dry fire your Kimber 1911 pistol while the slide is removed. Doing so can cause damage to the firearm.

⚠WARNING

Do not alter, modify or replace any of the parts of your firearm unless this work is performed by Kimber Product Services. Failure to abide by this WARNING may damage or affect the reliability, safety or performance of your firearm and create a potential risk of death, serious injury, or property damage and voids all warranties.

⚠WARNING

Kimber firearms should be cleaned after each use or exposure to the elements. Even when not in use, Kimber firearms should be cleaned and lubricated every six months to protect their appearance and ensure readiness.

Assembly (from Field Stripped Condition) after Alternate Method of Disassembly: Models without Barrel Bushing

⚠WARNING

Exercise great caution as the recoil spring and plug are under tension and can fly out with enough force to cause serious injury, property damage or loss. Wear eye protection while disassembling and assembling (see page 10)

1. Insert the barrel and the compressed spring assembly (takedown tool first) into the front of slide.
2. Replace the slide and slide stop.
3. Operate the slide by hand and allow the takedown tool to drop out.
4. Cycle the slide a few times to ensure proper installation was achieved.

⚠WARNING

Read through the entire manual before attempting to use this product. Safe operation of this firearm is your obligation, and requires that you completely read and understand this manual in its entirety.

⚠WARNING

An improperly assembled firearm is dangerous and should not be fired. Please contact Kimber Customer Service if you experience any difficulty assembling the firearm.

REAR SIGHT OPTIC HOOD REMOVAL INSTRUCTIONS

1. Make certain the firearm is unloaded before beginning (see pages 37–41).
2. Using the included 7/64" allen wrench, apply up to 25 in-lbs to break free each of the four socket head screws from the slide. Once these are successfully removed, the optic hood may safely be removed from the firearm.
3. Clean and degrease the threaded holes in the slide prior to installing your desired Kimber Optic plate.
4. Please follow the installation instructions enclosed with your Kimber Optic plate kit.
5. Be sure to follow the optic manufacturer's installation instructions carefully to assure proper use.

Installation of Vortex Viper/Venom® Optic Mounting Plate and Optic

1. Confirm the firearm is unloaded before beginning (see pages 37–41).
2. After removal of the optic hood from the slide and cleaning of threads, place the Vortex footprint Kimber optic plate on the firearm.
3. If you have or may obtain Loctite 7649® primer, prime each of the four enclosed mounting screws otherwise thoroughly degrease the screws.
4. Apply enclosed Loctite 271 Threadlocker® on the previously primed screws.
5. Tighten each screw in and "X" pattern with a final 14 in/lbs. torque value. Allow 24-hour cure time before use.
6. To install optic, apply provide Loctite 243 Threadlocker® to the manufacturer's provided optic screws and tighten both screws with a final 17 in/lbs. torque value to secure the optic to the plate.

Installation of Trijicon RMR® Optic Mounting Plate and Optic

1. Confirm the firearm is unloaded before beginning (see pages 37–41).
2. After removal of the optic hood from the slide and cleaning of threads, place the Trijicon footprint Kimber optic plate on the firearm.
3. If you have or may obtain Loctite 7649® primer, prime each of the four enclosed mounting screws otherwise thoroughly degrease the screws.
4. Apply enclosed Loctite 271 Threadlocker® on the previously primed screws.
5. Tighten each screw in and "X" pattern with a final 14in/lbs. torque value. Allow 24-hour cure time before use.
6. Seat the included genuine Trijicon RMR® mount sealing plate on the secured Kimber plate.
7. If firearm is .45 ACP or 10mm caliber use included Kimber 6/32 screws with patch for installation of Trijicon RMR®.

8. If firearm is 9mm caliber use included Kimber 6/32 screws without patch and provided Loctite 243 Threadlocker® for installation of Trijicon RMR®. THE TRIJICON RMR® OPTIC SCREWS PROVIDED BY TRIJICON WILL NOT WORK WITH THE KIMBER OPTIC PLATE.
9. Tighten both screws with a final 17 in/lbs. torque value to secure the RMR® to the plate.
10. Be sure to thoroughly read the optic manufacturer's installation instructions carefully to assure proper installation and use.

TIPS FOR IMPROVED SHOOTING

Point of Aim

Kimber fixed sight pistols are regulated to shoot point of aim at 25 yards.

Sight Adjustment

⚠WARNING

Make sure the firearm is unloaded (see pages 37–41) before adjusting sights.

Some models have a rear sight which is adjustable for both windage and elevation.

Elevation

To adjust the point of aim up, turn the elevation screw counter-clockwise. This will raise the rear sight blade and raise the point of aim on the target. Turning the elevation screw clockwise will lower the sight blade and the point of aim on the target.

Windage

To adjust the point of aim to the right, turn the windage nut clockwise. To adjust the point of aim to the left, turn the windage nut counter-clockwise. Make a significant movement of the blade until the point of aim and point of impact are close, then fine tune.

Ammunition Selection

Kimber firearms are designed to function effectively with quality factory-manufactured ammunition in the caliber for which the firearm is chambered. Kimber recommends the use of high quality American factory-made ammunition. Follow all instructions and warnings on pages 28–33 regarding ammunition.

⚠WARNING

Never use ammunition not specifically designated for use in your firearm. Failure to use the correct type or caliber of ammunition may cause the firearm to jam, fail to fire, have an obstructed bore or even generate excessive pressure, which can cause death, serious injury or property damage.

⚠WARNING

If a bullet is in the bore or lodged in the barrel, do not attempt to shoot it out by using another cartridge, by blowing it out with a blank or with a cartridge from which the bullet has been removed. Such actions can generate excessive pressure and cause death, serious injury or property damage.

⚠WARNING

Do not use reloaded, hand-loaded, remanufactured or other non-standard ammunition. Use of any such ammunition can cause death, serious injury, or property damage and voids all warranties. Kimber specifically disclaims responsibility for any damage or injury whatsoever occurring in connection with, or as a result of, the use in Kimber firearms of faulty, reloaded, hand-loaded, remanufactured or other nonstandard ammunition, or of cartridges other than those for which the firearm was originally chambered.

⚠WARNING

Read through the entire manual before attempting to use this product. Safe operation of this firearm is your obligation, and requires that you completely read and understand this manual in its entirety.

NOTE

Although this Kimber firearm is capable of functioning with +P ammunition in the appropriate caliber for the firearm, a steady diet of +P ammunition may affect the wear characteristics, shorten the life and endurance of your firearm, and necessitate more frequent maintenance and replacement of parts.

⚠WARNING

Do not use +P+ ammunition because its pressures could exceed SAAMI maximums and result in an unsafe condition that may cause death, serious injury or property damage.

PREVENTATIVE MAINTENANCE

⚠ WARNING

Always ensure that your firearm is unloaded before cleaning, and follow the rules of safe gun handling and instructions in this manual. Wear appropriate eye protection (see page 10) when disassembling, cleaning, lubricating and assembling firearm.

Cleaning

1. Keeping the firearm pointed in a safe direction and fingers are outside of the trigger guard and away from the trigger, unload the firearm as instructed in this manual (see pages 37–41).
2. Disassemble (field strip) the firearm as instructed in this manual (see pages 46–58).
3. Always insert a cleaning rod from the chamber end of the barrel.
4. Run a patch wet with bore cleaning solvent through the barrel bore and let the solution soak a few minutes. Always read and follow the manufacturer's directions for the bore cleaner being used.

5. Run a dry patch through to remove loose debris/deposits.
6. Run a wet bore brush through the chamber end of the barrel and out the muzzle, making several passes.
7. Run a dry patch to remove loose debris.
8. Repeat steps 6 and 7 a few times until the patch comes out clean.
9. Lightly oil the barrel.

NOTE

Run a dry patch through the barrel before firing to remove oil.

10. Wipe off all dirt on all bearing surfaces on the slide and frame.
11. Clean the breech face and all parts (a tooth-brush or similar nylon brush works well).
12. Follow lubrication directions in this manual before assembling (see pages 65–66).
13. Do not expose night sights to an ultrasonic cleaning environment.

NOTICE

Ultrasonic cleaning is not recommended. Damage to the finish or parts cleaned using an ultrasonic cleaner are not covered under warranty.

Lubrication

1. Use a premium lubrication product. Grease is not recommended. If the lubrication product contains Teflon, shake well before using as the Teflon settles.
2. Lubricate the following parts:
 - a. Slide and frame rails; 3 drops on each side.
 - b. Disconnecter on top of frame; 1 drop.
 - c. Barrel hood; 2 drops spread across surface.
 - d. Barrel locking lugs inside slide and on barrel; 1 drop on each lug.
 - e. Barrel link; 1 drop behind link.
 - f. Slide stop pin; 1 drop spread across surface.
 - g. Outside of barrel; 3 drops spread across surface.
 - h. Cocked hammer; 1 drop in between the hammer and frame.
 - i. Guide rod; 1 drop spread across surface
3. Assemble the firearm as instructed in this manual (see pages 50–59). Move the slide back and forth 5–6 times, dry fire and then wipe off any excess lubrication.
4. If the firearm has been stored with oil in the barrel and chamber, push a dry patch through the barrel before firing.
5. Moderation is key in proper lubrication. Too little and the firearm may not function properly or be subject to premature wear. Too much and there is the risk of attracting dirt and debris to the bearing surfaces causing premature wear and potential functioning problems. All metal parts including stainless steel should be lightly lubricated.
6. Silicone-impregnated cloths are also recommended as an option after handling.

⚠WARNING

Discharging firearms in poorly ventilated areas, cleaning firearms or handling ammunition may result in exposure to lead and other substances known to cause birth defects, reproductive harm, cancer and other serious physical injury. Have adequate ventilation at all times. Wash hands thoroughly after exposure.

⚠WARNING

Wear appropriate eye protection (see page 10) when disassembling, cleaning, lubricating, and assembling firearm.

⚠WARNING

Do not oil cartridges or spray lubricants, preservatives or cleaners on cartridges or where excess spray may come into contact with cartridges. Lubricants and other foreign matter on cartridges may cause potentially dangerous ammunition malfunctions. Oil and solvent can penetrate cartridge primers and can cause misfires. To help reduce the chance of this

happening, do not allow oil or solvent to remain in the firing pin channel, on the breech face or inside the magazine.

⚠WARNING

Do not place lubricant into the firing pin channel as oil there may slow the movement of the firing pin, and can cause a misfire.

⚠WARNING

Read through the entire manual before attempting to use this product. Safe operation of this firearm is your obligation, and requires that you completely read and understand this manual in its entirety.

NOTE

For long-term storage or in high-humidity, damp or salty areas, a premium rust preventative should also be used.

Recoil Spring Replacement Schedule

Recoil springs are critical to the proper functioning of your Kimber 1911. The correct Kimber recoil springs must be used for the caliber and barrel length of each Kimber 1911 pistol.

NOTE

Always slide the closed end of the recoil spring down the guide rod until fully seated against the guide rod head. The open end of the recoil spring always faces out to the muzzle. Doing the reverse may severely scar the guide rod and potentially reduce performance.

Mainspring & Firing Pin Spring Replacement Schedule

Replace every 5,000 rounds. Mainspring and firing pin replacements should be performed by the Kimber factory. Information on how to return a firearm for maintenance can be found on pages 84–85.

Recommended Preventive Replacement of Recoil Springs:

Size	Caliber	Pressure (pounds)	Replace after:
Custom/Target Models (6- and 5-inch barrel)	.45 ACP, .40	16	1,500 rounds
	10mm	18.5	
	9mm	12	1,800 rounds
	.38 Super	14	
Pro/Compact Models (4-inch barrel)	.45 ACP, .40	22	800 rounds
	.38 Super	20	
	9mm	14	
Ultra Models (3-inch barrel)	.45 ACP [outer spring]	18	1,500 rounds
	9mm [outer spring]	16	
	All calibers [inner spring and guide rod assembly]	19	5,000 rounds

LONG-TERM STORAGE

1. Follow unloading, cleaning and lubrication instructions from this manual.
2. Apply a premium rust preventative product and follow the manufacturer's instructions for proper application.
3. Select a safe and secure location for storage, one that follows the instructions and recommendations of this manual and all applicable laws, including but not limited to use of the cable lock provided with this firearm (see pages 8–9 for instructions regarding the cable lock). If possible, do not store the firearm in the factory-supplied black plastic case, other gun case, or holster as moisture may collect and cause damage.
4. If you plan on storing the firearm for extended periods of time between uses, clean and lubricate the firearm as instructed in this manual (see pages 64–66) every six months.

⚠ WARNING

Always store this firearm with the chamber empty, unloaded and with the hammer forward and released on an empty chamber. Failure to do so could result in an unintentional discharge.

⚠ WARNING

Keep out of reach of children. For increased safety, firearms should be stored unloaded in a location that is secure and inaccessible to children and any other unauthorized person, with ammunition locked securely in a different location.

⚠ WARNING

Improper installation of the cable lock through the trigger guard can result in an unintentional discharge causing death, serious injury or property damage. While locking devices are an important aid to security measures, they are not a substitute for safe firearm handling and proper storage. Mechanical and locking devices can fail and/or be bypassed with enough time, knowledge, determination and equipment.

LIMITED WARRANTY

This "Limited Warranty" has been drafted to comply with the Magnuson-Moss Warranty Federal Trade Commission Improvement Act which is effective for goods manufactured on or after December 31, 1995.

Kimber Mfg., Inc. firearms are warranted to be free from defects in material and workmanship for one (1) year after the date of original new firearm retail purchase by the initial consumer. Except as may otherwise be provided or excluded in this limited warranty, the Manufacturer agrees to correct any such defects in materials and workmanship by repair or replacement (with the same or comparable-quality model) of the firearm, without charge, if returned prepaid in accordance with instructions regarding returns in this manual and with a copy of the bill of sale.

Kimber Mfg., Inc. assumes no responsibility for product malfunction or for physical injury or property damage resulting in whole or in part from: failure to follow the instructions in this manual; the firearm is disassembled beyond the instructions in this manual; criminal or negligent use of the product; improper or careless handling; unauthorized modifications; use of defective, improper or hand-loaded, reloaded,

remanufactured ammunition or ammunition of a different caliber than the firearm is chambered for; customer misuse, abuse, neglect or improper maintenance of the product or other influences beyond Kimber Mfg., Inc.'s control. This warranty does not apply to normal wear of any parts, including metal, wood, plastic, rubber or the surface finish of any material, or if unauthorized repair and/or alteration has been performed. This warranty does not cover repairs related to unreasonable use, corrosion, damaged or shopworn display firearms, firearms or firearm parts damaged by an obstructed bore or barrel, or firearms damaged in return shipment due to improper packing and handling.

The implied warranties of merchantability and fitness for a particular purpose are expressly disclaimed. All disclaimers and limitations of liability shall still apply even if the limited remedy of repair or replacement fails of its essential purpose.

There are no warranties which extend beyond the description on the face hereof. The sole and exclusive remedy pursuant to this warranty is the repair or replacement of your firearm, at the sole discretion of Kimber.

Any action against Kimber based on an alleged breach of this limited warranty must be brought within one (1) year of the claimed breach.

Kimber Mfg., Inc. reserves the right to inspect any product before making any adjustment covered by this warranty.

Under no circumstances shall Kimber Mfg., Inc. be liable for incidental or consequential damages with respect to economic loss or injury or property damage whether the result of breach of express or implied warranty. Some states do not allow the exclusion of consequential or incidental damages, so the limitation may not apply. This warranty gives only the original retail purchaser specific legal rights. Other rights may also be available which may vary from state to state.

The terms of the warranty cannot be changed except in writing by an officer of Kimber Mfg., Inc.

Kimber's factory in Troy, Alabama is the only authorized repair location.

OBTAINING KIMBER REPLACEMENT PARTS

▲WARNING

Only use Kimber replacement parts. Use of aftermarket parts can create unsafe conditions and will void the warranty. Kimber replacement parts are available at Kimber Master Dealers or at <http://store.kimberamerica.com>.

CUSTOM SHOP TREATMENTS

The Kimber Custom Shop™ can quickly and professionally modify or personalize any Kimber firearm. Services include installation of night sights, custom finishes, part replacement, checkering, melts, custom parts and tuning. For complete information, contact Kimber Customer Service.

CUSTOMER SERVICE

Kimber Customer Service: (888) 243-4522
customerservice@kimberamerica.com

▲WARNING

This product was designed to function properly in its original condition. Do not alter any part or add or substitute parts or accessories not made or authorized for use by Kimber. Any such alteration could render the firearm unsafe, and will void the warranty.

▲WARNING

Do not alter, modify or replace any of the parts of your firearm unless this work is performed by Kimber Product Services. Failure to abide by this WARNING may damage or affect the reliability, safety or performance of your firearm, and such failure will create a potential risk of death, serious injury or property damage, and will void the warranty.

▲WARNING

Read through the entire manual before attempting to use this product. Safe operation of this firearm is your obligation, and requires that you completely read and understand this manual in its entirety.



DIAGRAM AND PARTS LIST: CUSTOM MODELS

(6- and 5-inch barrel, full-length grip)

- | | | |
|-----------------------------|-------------------------------------|------------------------|
| 1. Frame | 19. Magazine Release Lock | 36. Front Sight |
| 2. Slide | 20. Mainspring | 37. Rear Sight |
| 3. Disconnecter | 21. Mainspring Cap Pin | 38. Barrel |
| 4. Ejector | 22. Mainspring Cap | 39. Barrel Link |
| 5. Ejector Pin | 23. Mainspring Housing | 40. Barrel Link Pin |
| 6. Grip Safety | 24. Mainspring Housing Pin Retainer | 41. Push Rod |
| 7. Grip Screw Bushing | 25. Plunger Spring | 42. Hammer |
| 8. Grip Screw | 26. Plunger Tube | 43. Hammer Strut |
| 9. Grip (left) | 27. Thumb Safety Plunger | 44. Hammer Strut Pin |
| 10. Grip (right) | 28. Slide Stop Plunger | 45. Trigger Pad |
| 11. Hammer Pin | 29. Extractor | 46. Trigger Bow |
| 12. Mainspring Housing Pin | 30. Firing Pin | 47. Trigger Stop Screw |
| 13. Sear | 31. Firing Pin Spring | 48. Guide Rod |
| 14. Sear Pin | 32. Firing Pin Stop | 49. Guide Rod Head |
| 15. Sear Spring | 33. Slide Stop | 50. Recoil Spring |
| 16. Thumb Safety | 34. Firing Pin Block Spring | 51. Recoil Spring Plug |
| 17. Magazine Release | 35. Firing Pin Block | 52. Barrel Bushing |
| 18. Magazine Release Spring | | |

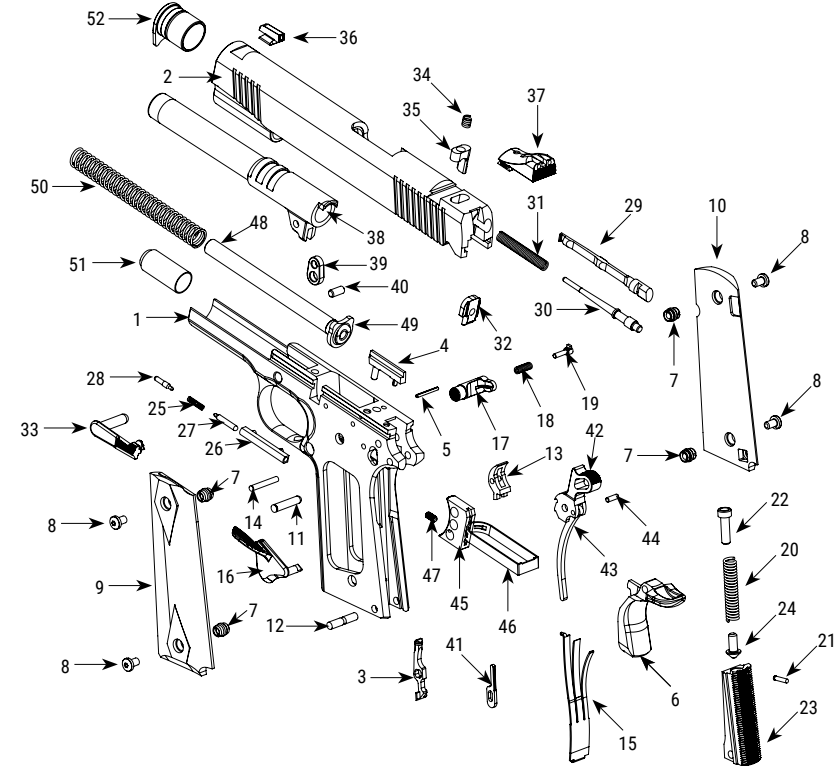


DIAGRAM AND PARTS LIST: PRO MODELS

(4-inch barrel, full-length grip)

- | | | |
|-----------------------------|-------------------------------------|------------------------|
| 1. Frame | 19. Magazine Release Lock | 36. Front Sight |
| 2. Slide | 20. Mainspring | 37. Rear Sight |
| 3. Disconnecter | 21. Mainspring Cap Pin | 38. Barrel |
| 4. Ejector | 22. Mainspring Cap | 39. Barrel Link |
| 5. Ejector Pin | 23. Mainspring Housing | 40. Barrel Link Pin |
| 6. Grip Safety | 24. Mainspring Housing Pin Retainer | 41. Push Rod |
| 7. Grip Screw Bushing | 25. Plunger Spring | 42. Hammer |
| 8. Grip Screw | 26. Plunger Tube | 43. Hammer Strut |
| 9. Grip (left) | 27. Thumb Safety Plunger | 44. Hammer Strut Pin |
| 10. Grip (right) | 28. Slide Stop Plunger | 45. Trigger Pad |
| 11. Hammer Pin | 29. Extractor | 46. Trigger Bow |
| 12. Mainspring Housing Pin | 30. Firing Pin | 47. Trigger Stop Screw |
| 13. Sear | 31. Firing Pin Spring | 48. Guide Rod |
| 14. Sear Pin | 32. Firing Pin Stop | 49. Guide Rod Head |
| 15. Sear Spring | 33. Slide Stop | 50. Recoil Spring |
| 16. Thumb Safety | 34. Firing Pin Block Spring | 51. Recoil Spring Plug |
| 17. Magazine Release | 35. Firing Pin Block | |
| 18. Magazine Release Spring | | |

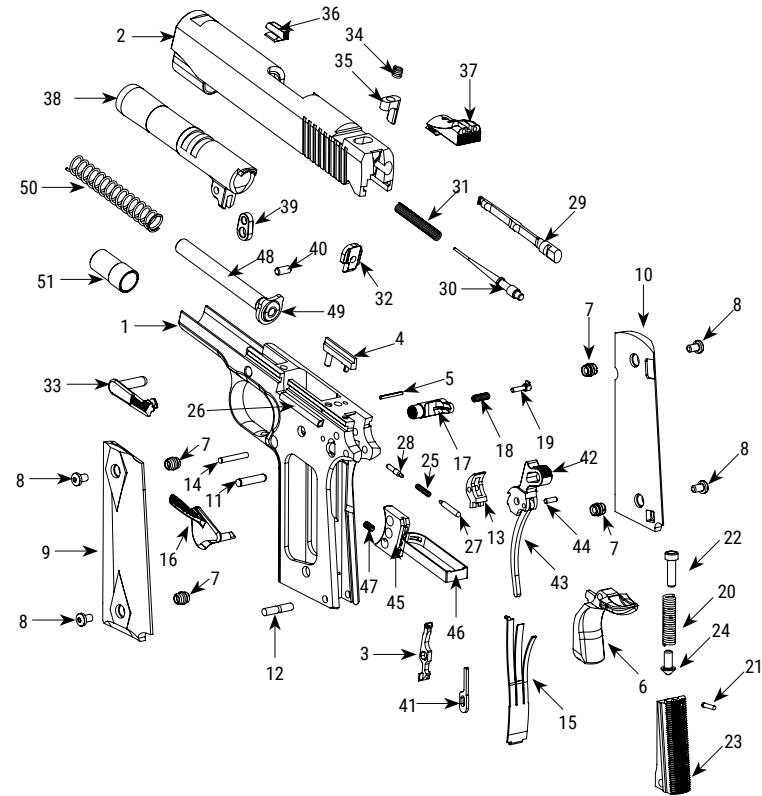


DIAGRAM AND PARTS LIST: COMPACT MODELS

(4-inch barrel, short grip)

- | | | |
|----------------------------|-------------------------------------|------------------------|
| 1. Frame | 18. Magazine Release Lock | 35. Firing Pin Block |
| 2. Slide | 19. Magazine Release Spring | 36. Front Sight |
| 3. Disconnecter | 20. Mainspring | 37. Rear Sight |
| 4. Ejector | 21. Mainspring Cap Pin | 38. Barrel |
| 5. Ejector Pin | 22. Mainspring Cap | 39. Barrel Link |
| 6. Grip Safety | 23. Mainspring Housing | 40. Barrel Link Pin |
| 7. Grip Screw Bushing | 24. Mainspring Housing Pin Retainer | 41. Push Rod |
| 8. Grip Screw | 25. Plunger Spring | 42. Hammer |
| 9. Grip (left) | 26. Plunger Tube | 43. Hammer Strut |
| 10. Grip (right) | 27. Thumb Safety Plunger | 44. Hammer Strut Pin |
| 11. Hammer Pin | 28. Slide Stop Plunger | 45. Trigger Pad |
| 12. Mainspring Housing Pin | 29. Extractor | 46. Trigger Bow |
| 13. Sear | 30. Firing Pin | 47. Trigger Stop Screw |
| 14. Sear Pin | 31. Firing Pin Spring | 48. Guide Rod |
| 15. Sear Spring | 32. Firing Pin Stop | 49. Guide Rod Head |
| 16. Thumb Safety | 33. Slide Stop | 50. Recoil Spring |
| 17. Magazine Release | 34. Firing Pin Block Spring | 51. Recoil Spring Plug |

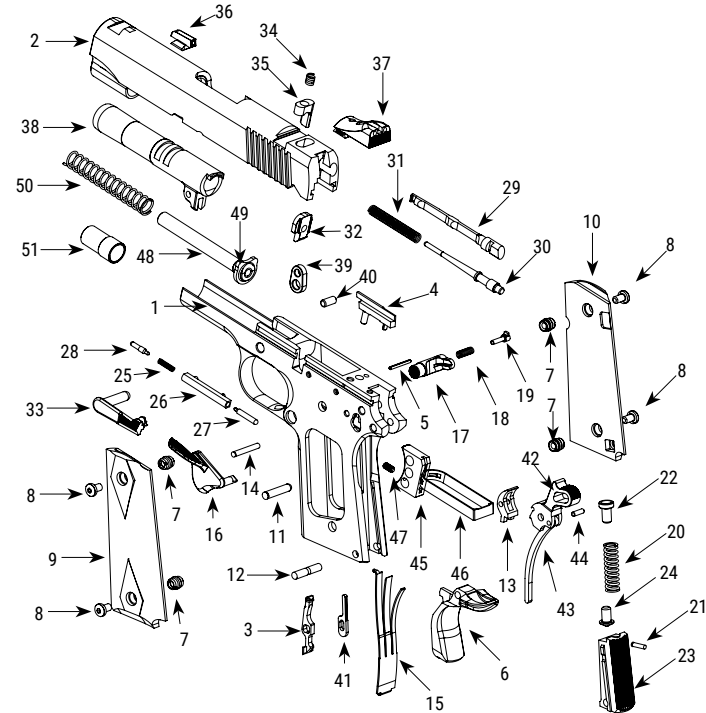


DIAGRAM AND PARTS LIST: ULTRA+ MODELS

(3-inch barrel, full-length grip)

- | | | |
|----------------------------|-------------------------------------|-------------------------------|
| 1. Frame | 18. Magazine release spring | 35. Firing pin block |
| 2. Slide | 19. Magazine release lock | 36. Front sight |
| 3. Disconnecter | 20. Mainspring | 37. Rear sight |
| 4. Ejector | 21. Mainspring cap pin | 38. Barrel |
| 5. Ejector pin | 22. Mainspring cap | 39. Barrel link |
| 6. Grip safety | 23. Mainspring housing | 40. Barrel link pin |
| 7. Grip screw bushing | 24. Mainspring housing pin retainer | 41. Push rod |
| 8. Grip screw | 25. Plunger spring | 42. Hammer |
| 9. Grip (left) | 26. Plunger tube | 43. Hammer strut |
| 10. Grip (right) | 27. Thumb safety plunger | 44. Hammer strut pin |
| 11. Hammer pin | 28. Slide stop plunger | 45. Trigger pad |
| 12. Mainspring housing pin | 29. Extractor | 46. Trigger bow |
| 13. Sear | 30. Firing pin | 47. Trigger stop screw |
| 14. Sear pin | 31. Firing pin spring | 48. Guide rod w/ inner spring |
| 15. Sear spring | 32. Firing pin stop | 49. Guide rod head |
| 16. Thumb safety | 33. Slide stop | 50. Outer recoil spring |
| 17. Magazine release | 34. Firing pin block spring | 51. Recoil plug |

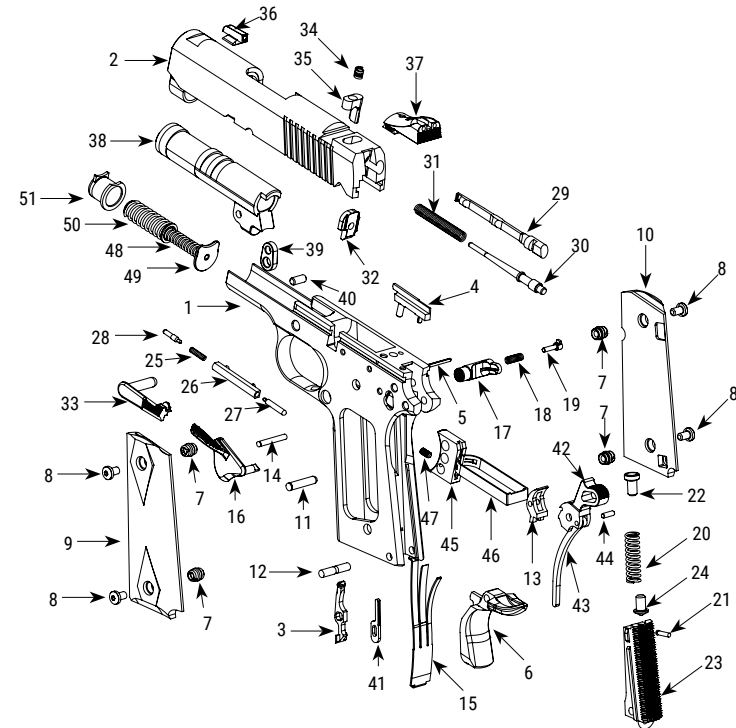
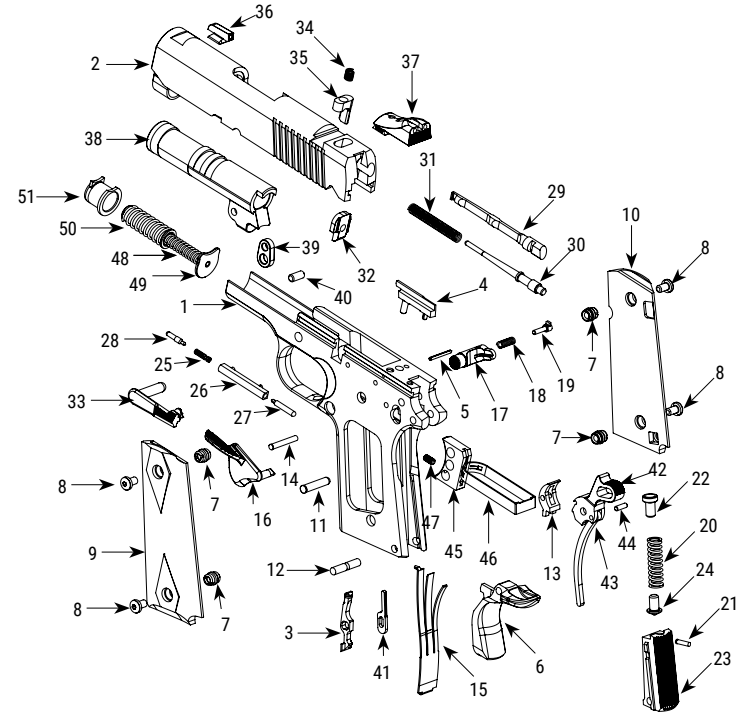


DIAGRAM AND PARTS LIST: ULTRA MODELS

(3-inch barrel, short grip)

- | | | |
|----------------------------|-------------------------------------|-------------------------------|
| 1. Frame | 18. Magazine Release Spring | 35. Firing Pin Block |
| 2. Slide | 19. Magazine Release Lock | 36. Front Sight |
| 3. Disconnecter | 20. Mainspring | 37. Rear Sight |
| 4. Ejector | 21. Mainspring Cap Pin | 38. Barrel |
| 5. Ejector Pin | 22. Mainspring Cap | 39. Barrel Link |
| 6. Grip Safety | 23. Mainspring Housing | 40. Barrel Link Pin |
| 7. Grip Screw Bushing | 24. Mainspring Housing Pin Retainer | 41. Push Rod |
| 8. Grip Screw | 25. Plunger Spring | 42. Hammer |
| 9. Grip (Left) | 26. Plunger Tube | 43. Hammer Strut |
| 10. Grip (Right) | 27. Thumb Safety Plunger | 44. Hammer Strut Pin |
| 11. Hammer Pin | 28. Slide Stop Plunger | 45. Trigger Pad |
| 12. Mainspring Housing Pin | 29. Extractor | 46. Trigger Bow |
| 13. Sear | 30. Firing Pin | 47. Trigger Stop Screw |
| 14. Sear Pin | 31. Firing Pin Spring | 48. Guide Rod w/ Inner Spring |
| 15. Sear Spring | 32. Firing Pin Stop | 49. Guide Rod Head |
| 16. Thumb Safety | 33. Slide Stop | 50. Outer Recoil Spring |
| 17. Magazine Release | 34. Firing Pin Block Spring | 51. Recoil Plug |



RETURNING A FIREARM

General Return Guidelines

Before making any return, contact Kimber Customer Service at (888) 243-4522 to obtain an RMA (Return Merchandise Authorization) number. All returns must be accompanied by an RMA number. Returns arriving without a legible RMA number on the carton will be refused. Kimber assumes no responsibility for any goods that are lost or stolen in transit. If you would like to insure the value of the product being returned, you must arrange and pay for such insurance separately.

Once an RMA number has been assigned, please carefully review the following instructions. Please note that in addition to these general guidelines, shipments must comply with all applicable federal, state and local laws and regulations, as well as the requirements of the carrier. Please also note that these instructions may be updated by Kimber without notice. In such event, upon receiving an RMA number, Kimber will provide you with the then current instructions.

Firearm Returns

1. Remove all ammunition from the firearm and firearm case.
2. Pack the firearm in its original case and place it inside a plain cardboard carton. If original case is not available, please use another unlocked, padded container suitable to withstand rough handling. Use additional packing materials as needed.
3. Secure magazines and other loose parts under the foam to help prevent damage during shipment.
4. Write the RMA number clearly on each side of the carton in large print.
5. Ship in accordance with all UPS or FedEx policies and procedures.
6. Retain a copy of the serial number, RMA number and shipping receipt for future reference.
7. Address the return to: Product Services Department, 200 Industrial Blvd., Troy, Alabama 36081.

CAUTIONS:

- Firearms must be unloaded.
- Do not attempt to return a firearm without first obtaining an RMA number. Firearms arriving without a legible RMA number on the carton will be refused.
- Do not place ammunition in the carton with the firearm. Firearms and ammunition must be shipped separately.
- Do not disassemble the firearm prior to shipment.
- Do not risk damage to a firearm by leaving magazines or other loose parts unsecured in the return carton.
- Do not attempt to ship a firearm through the U.S. Postal Service or a UPS store. Do not leave a firearm at a UPS drop box.
- Kimber assumes no responsibility for damaged goods resulting from improper shipping or insufficient packaging.

Sight, Slide or Other Non-Firearm Product Returns

Sight or slide (only) or other non-firearm product returns may be shipped through any carrier (subject to any such carrier's applicable policies and procedures). Kimber recommends carriers with tracking capabilities.

Do not attempt to return any product without an RMA number. Contact Kimber Customer Service at (888) 243-4522 to obtain an RMA number.

SAFETY FIRST

1. Always keep the firearm pointed in a safe direction.
2. Always keep your finger off the trigger until ready to shoot
3. Always keep the firearm unloaded until ready to use.
4. Always treat the firearm as if it is loaded and ready to discharge.
5. Always follow rules of safe firearm handling.
6. Read and understand this manual in its entirety prior to using this firearm.
7. Kimber strongly recommends that every person receive firearms safety training prior to using this or any other firearm.

For firearms safety classes near you, contact your local firearms dealer, shooting range, police department or the **National Rifle Association (NRA)** at **1-703-267-1000** or **1-800-672-3888** or visit their website at **www.nra.org/home**.



▶ NOTES